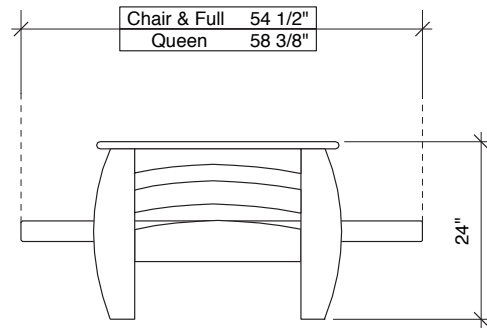
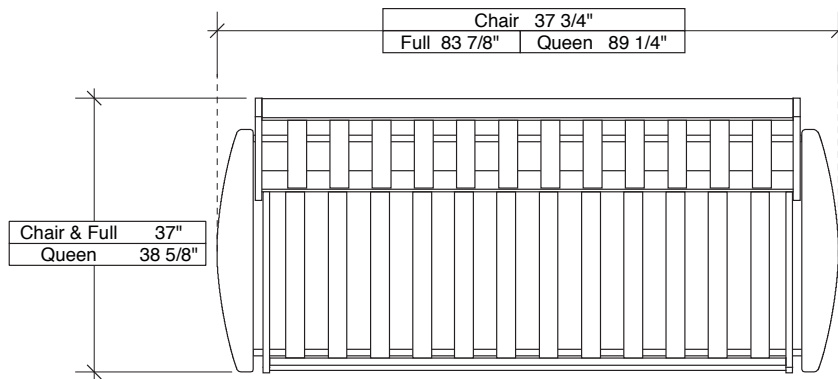


SEATING POSITION



BED POSITION



SEATING POSITION – Top View

Assembled Product Dimensions*

Shoefittings™ Bronze System Arms (Box 1)

Corona		H	W	L	m3							
		mm	inches	mm	inches	mm	inches	Net	Gross			
		140	5 1/2"	680	26 3/4"	930	36 5/8"	0.089 m3	3.13 cu.ft.	Kg	16	17.5
										lbs	35	39

Shoefittings™ Bronze System Body (Box 2)

Chair		H	W	L	m3							
		mm	inches	mm	inches	mm	inches	Net	Gross			
		130	5 1/8"	790	31 1/8"	870	34 1/4"	0.089 m3	3.15 cu.ft.	Kg	13	15.5
										lbs	29	34
Full		130	5 1/8"	875	34 1/2"	1955	77"	0.222 m3	7.85 cu.ft.	Kg	30	34.5
										lbs	66	76
Queen		130	5 1/8"	970	38 1/4"	2095	82 1/2"	0.264 m3	9.33 cu.ft.	Kg	33	37.5
										lbs	73	83

Carton Dimensions*

STANDARD COLLECTION

Corona



SHOE FITTINGS™ Bronze

The Futon Operating System of Choice



Night & Day Furniture
www.nightanddayfurniture.com

1501 NE 106th Street Vancouver WA 98686
Tel: (360) 573-3309 Fax: (360) 573-3326

*Please note. The above weights and measures may be subject to change without notice.