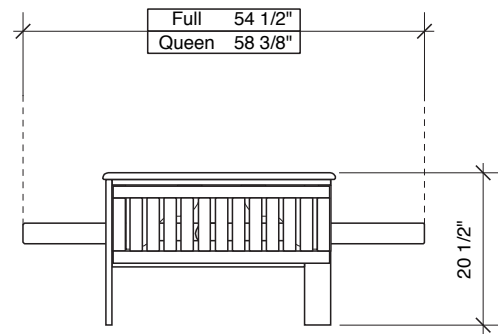
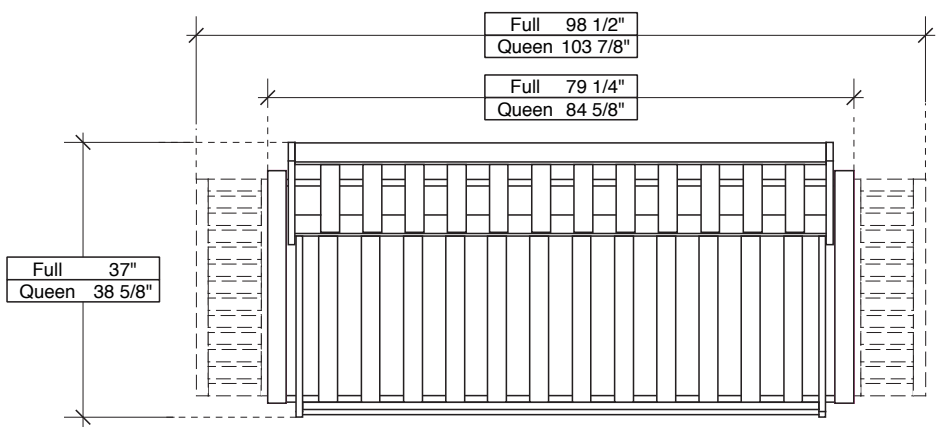


SEATING POSITION



BED POSITION



SEATING POSITION – Top View

Assembled Product Dimensions*

WINSTON

Box Dimensions (Arms and Body in one Box)

	H	W	L	m3	
Full	mm	180	750	1910	0.258 m3
	inches	7 1/8"	29 1/2"	75 1/4"	9.10 cu.ft.
Queen	mm	180	835	2040	0.307 m3
	inches	7 1/8"	32 7/8"	79 1/8"	10.83 cu.ft.

Box Weight

	Net	Gross	
Full	Kg	44.5	48
	lbs	98	106
Queen	Kg	50	54
	lbs	110	119

Carton Dimensions*



Night & Day Furniture
www.nightanddayfurniture.com

1501 NE 106th Street Vancouver WA 98686
 Tel: (360) 573-3309 Fax: (360) 573-3326

W i n s t o n

*Please note. The above weights and measures may be subject to change without notice.