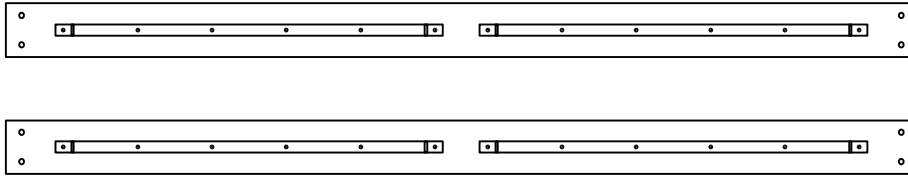
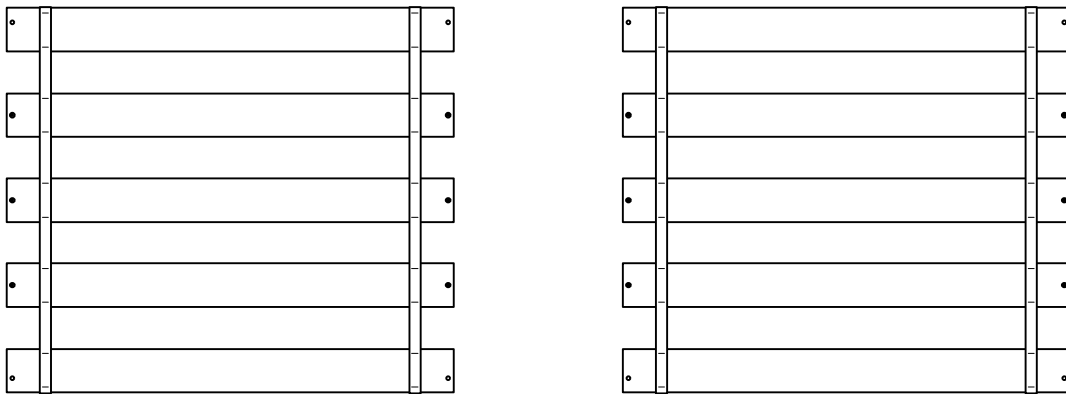


**1A** Parts in this Box:



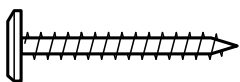
Stretcher **x 2**

**1B** Slats are Packed Separately in Box 4.



Set of Slats **x 2**

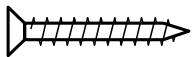
**1C** Hardware in this box.



35mm Threaded  
Wood Bolt **x 8**



ThumNut™ **x 8**  
Patent No.: US 6,457,923



30mm Wood Screws  
**x 12**



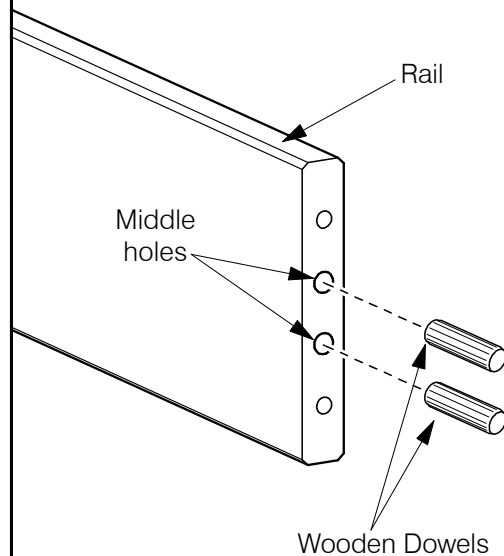
Wooden Dowels  
**x 8**



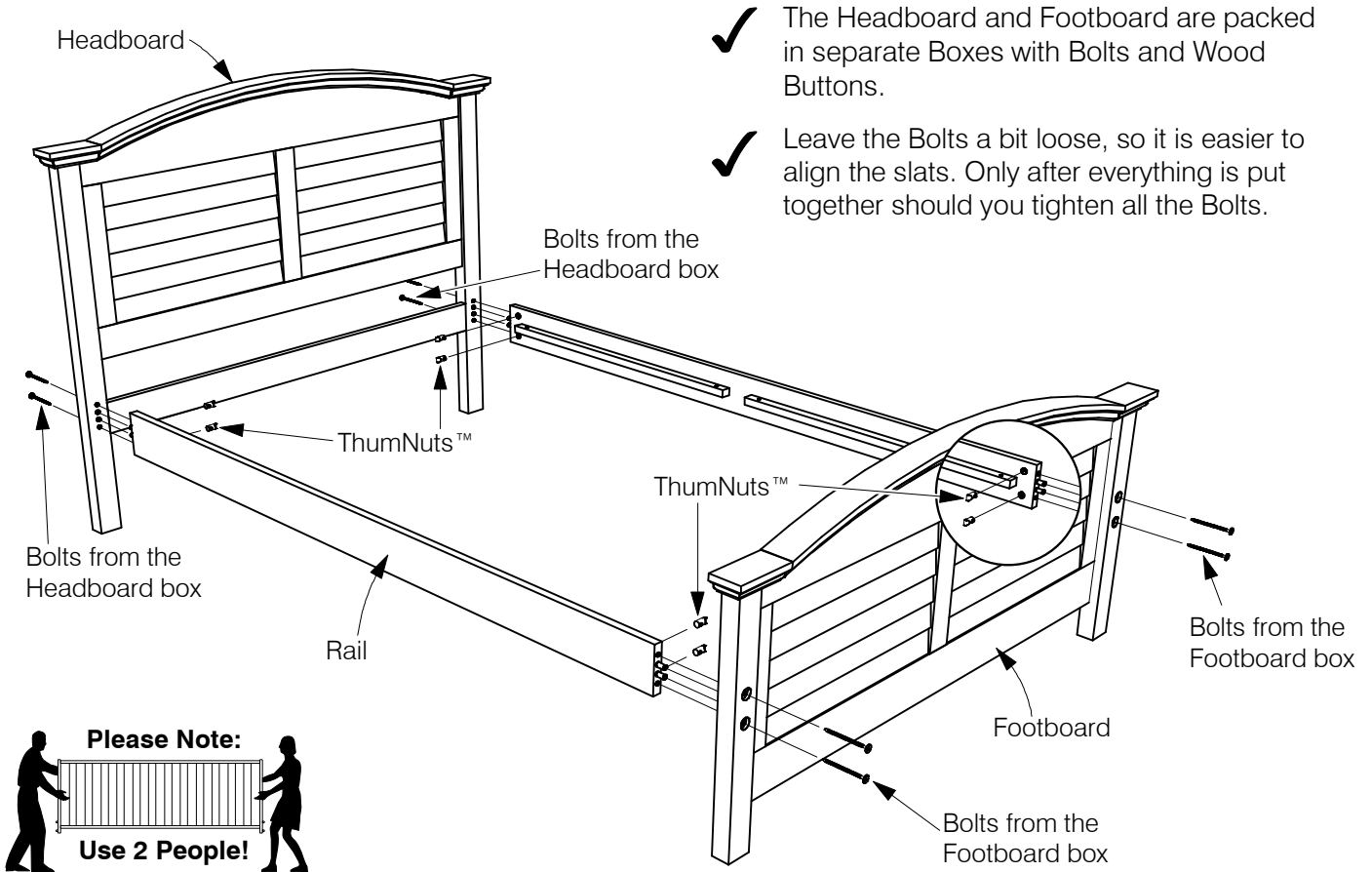
Long Allen Key **x 1**

**1D** Fit Wooden Dowels to the Rails:

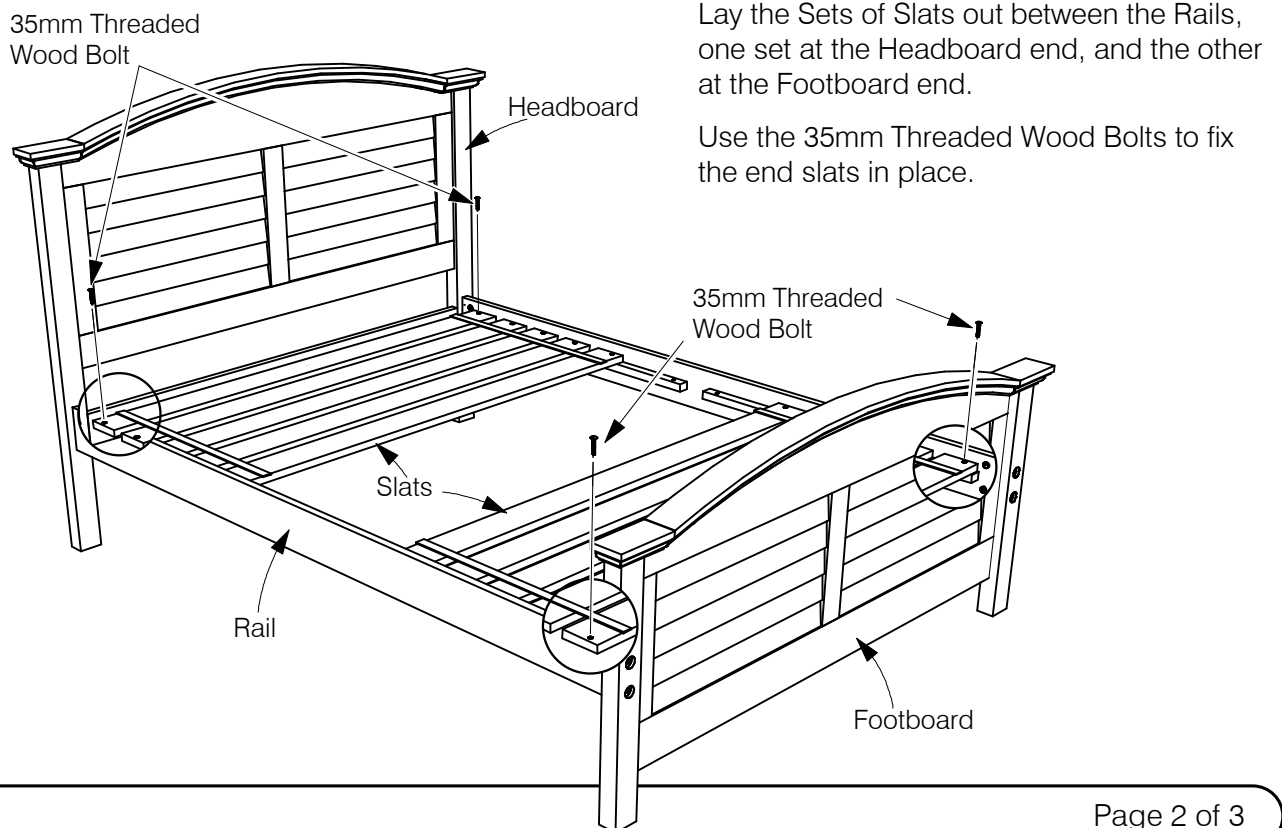
Tap the Wooden Dowels all the way into the Middle holes at the ends of the Rails.



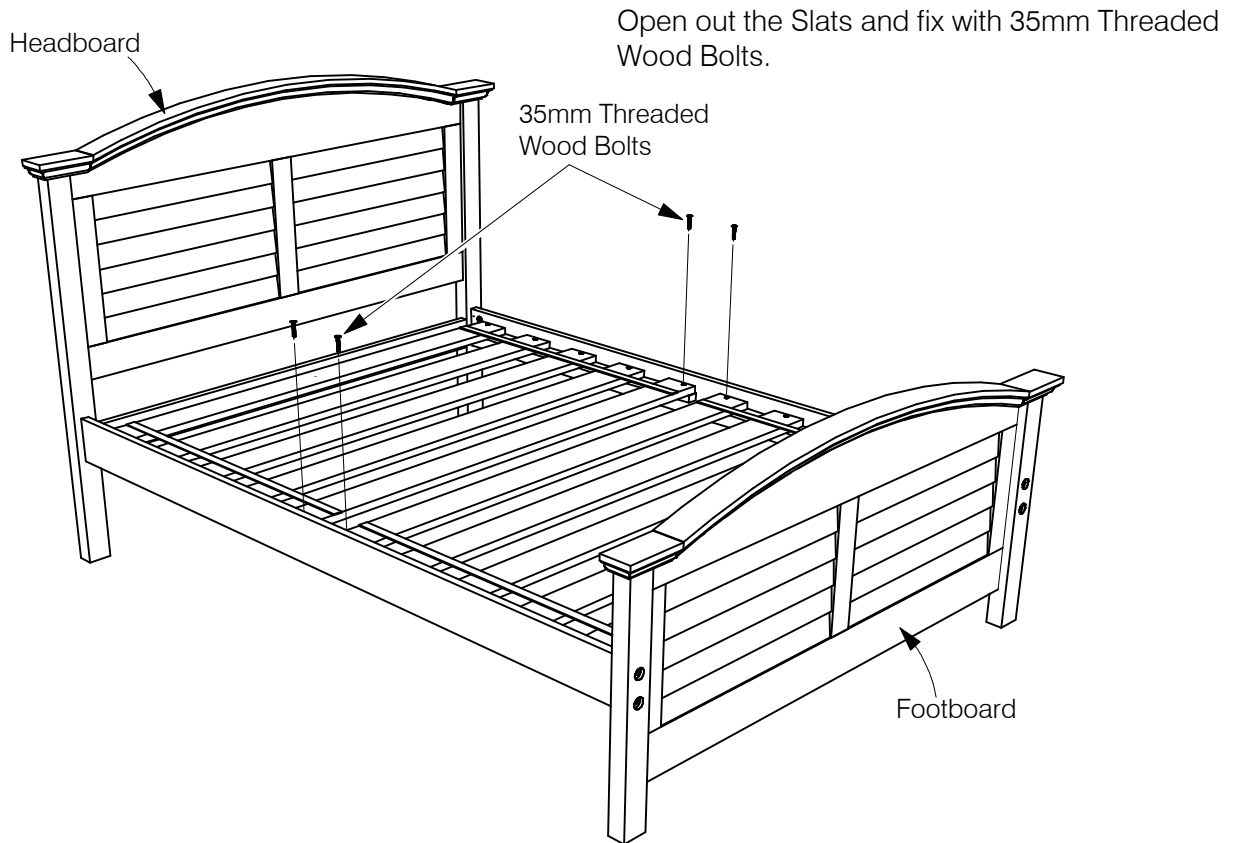
## 2A Attach the Rails to the Headboard and Footboard.



## 2B Fit two Set of Slats between the Rails.

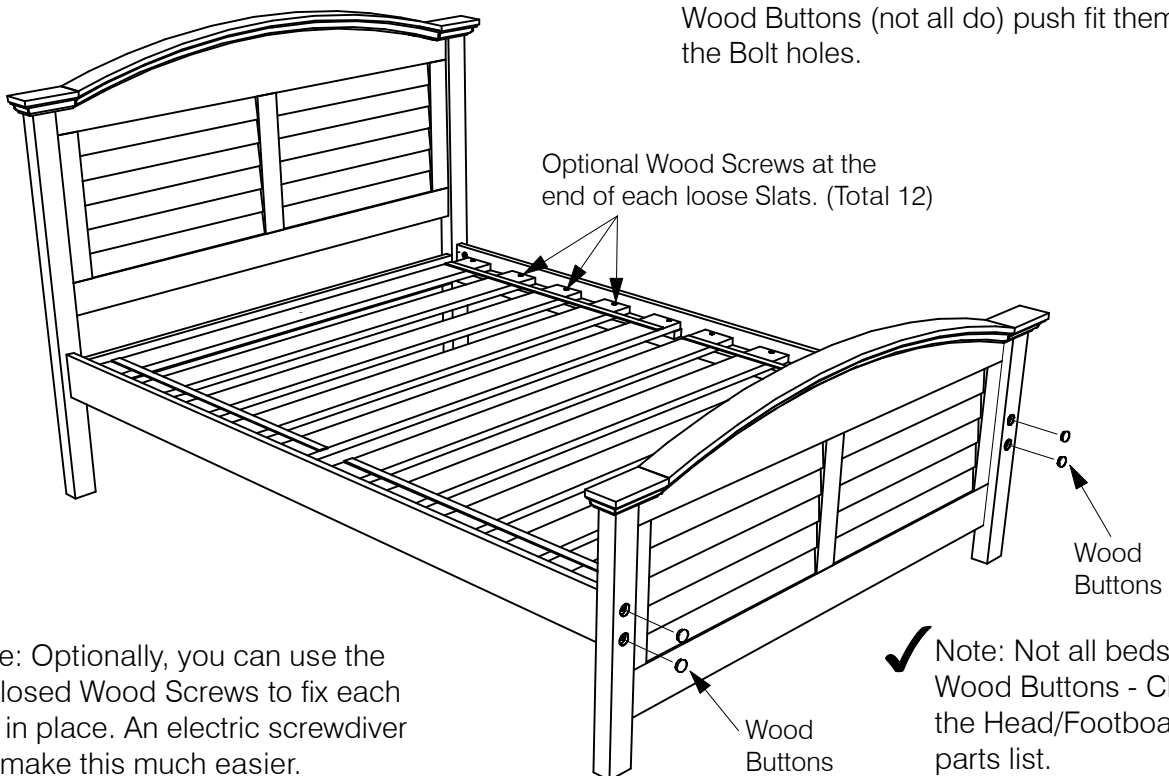


**3A Fix the Slats in place.**



**3B Tighten all the Bolts and fit the Wood Buttons.**

When everything is put together tighten all the Bolts. If the Headboard/Footboard have Wood Buttons (not all do) push fit them into the Bolt holes.



✓ Note: Optionally, you can use the enclosed Wood Screws to fix each slat in place. An electric screwdriver will make this much easier.

✓ Note: Not all beds have Wood Buttons - Check the Head/Footboard parts list.