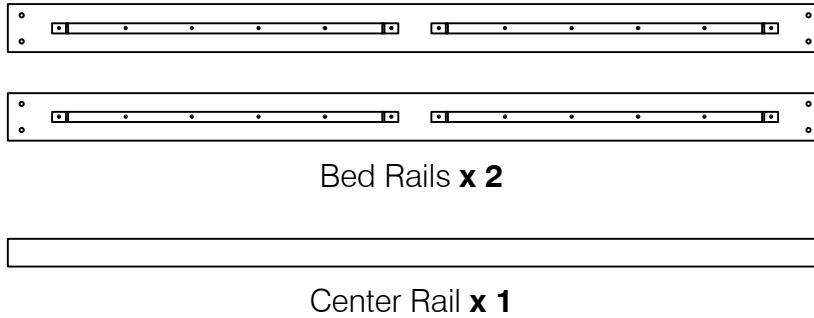
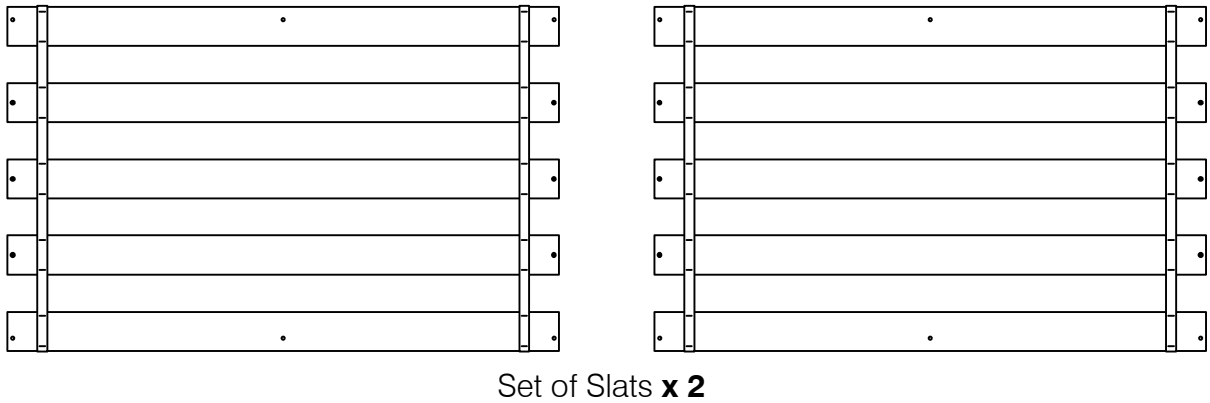


1A Parts in this Box:



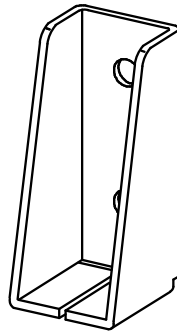
1B Slats are Packed Separately in Box 4.



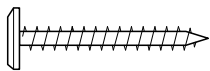
1C Hardwares in this box.



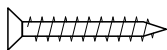
ThumNut™ **x 8**
 Patent No.: US 6,457,923



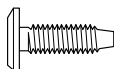
Center Rail
 Brackets **x 2**



35mm Threaded Wood
 Bolts **x 12**



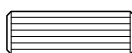
30mm Wood Screws **x 12**



16mm Bolts **x 4**



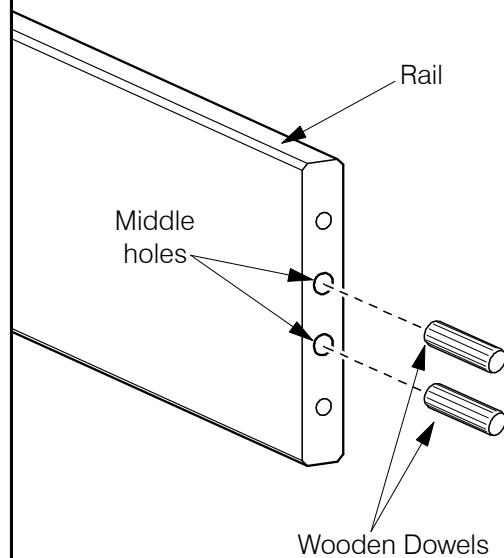
Long Allen Key **x 1**



Wooden Dowels **x 8**

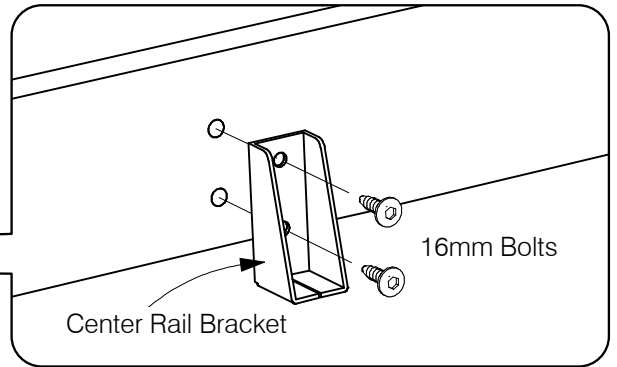
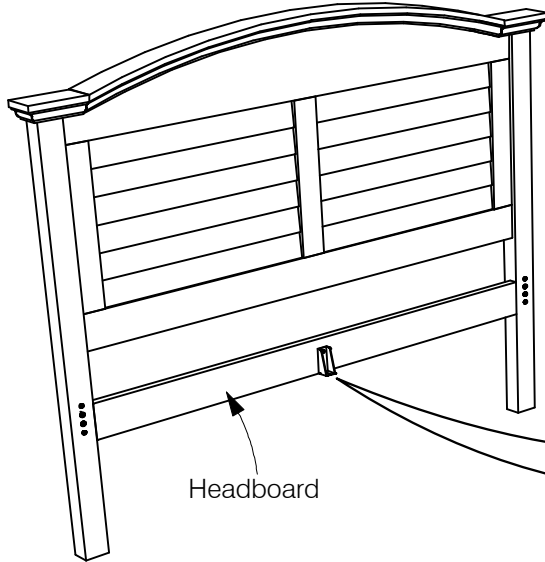
1D Fit Wooden Dowels to the Rails:

Tap the Wooden Dowels all the way into the Middle holes at the ends of the Rails.



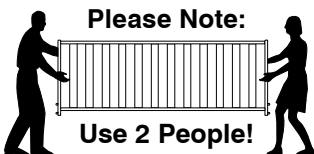
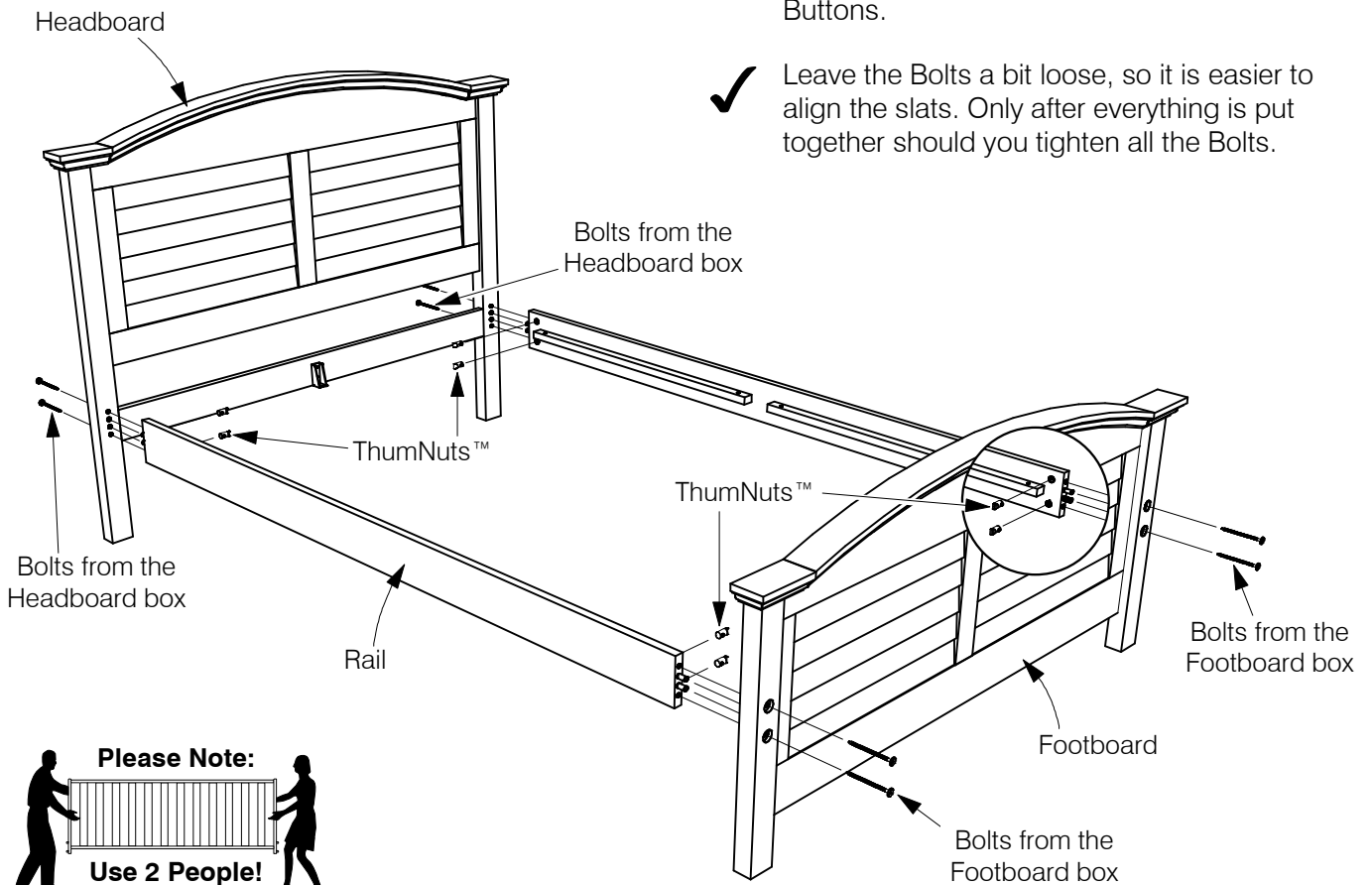
2A Fix the Brackets to the Headboard and Footboard.

Use two of the 16mm Bolts to fix the Center Rail Brackets to the inside of the Headboard and Footboard. Tighten the Bolts fully.

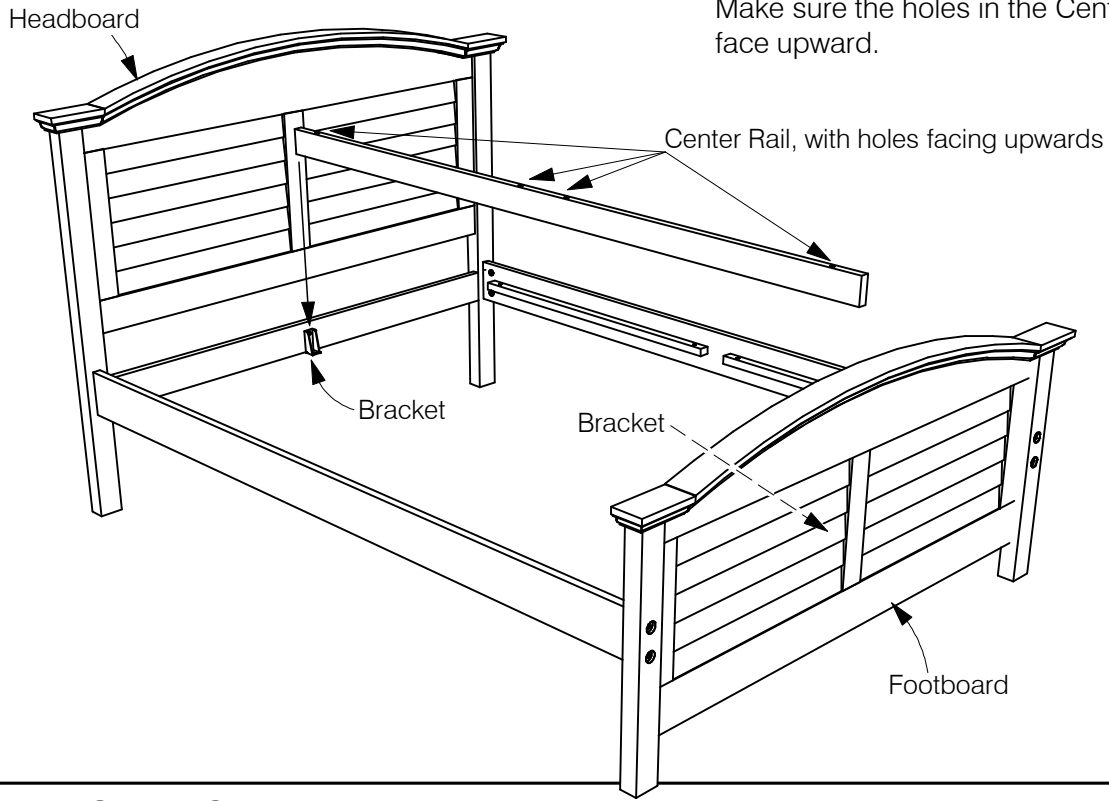


2B Attach the Rails to the Headboard and Footboard.

- ✓ The Headboard and Footboard are packed in separate Boxes with Bolts and Wood Buttons.
- ✓ Leave the Bolts a bit loose, so it is easier to align the slats. Only after everything is put together should you tighten all the Bolts.

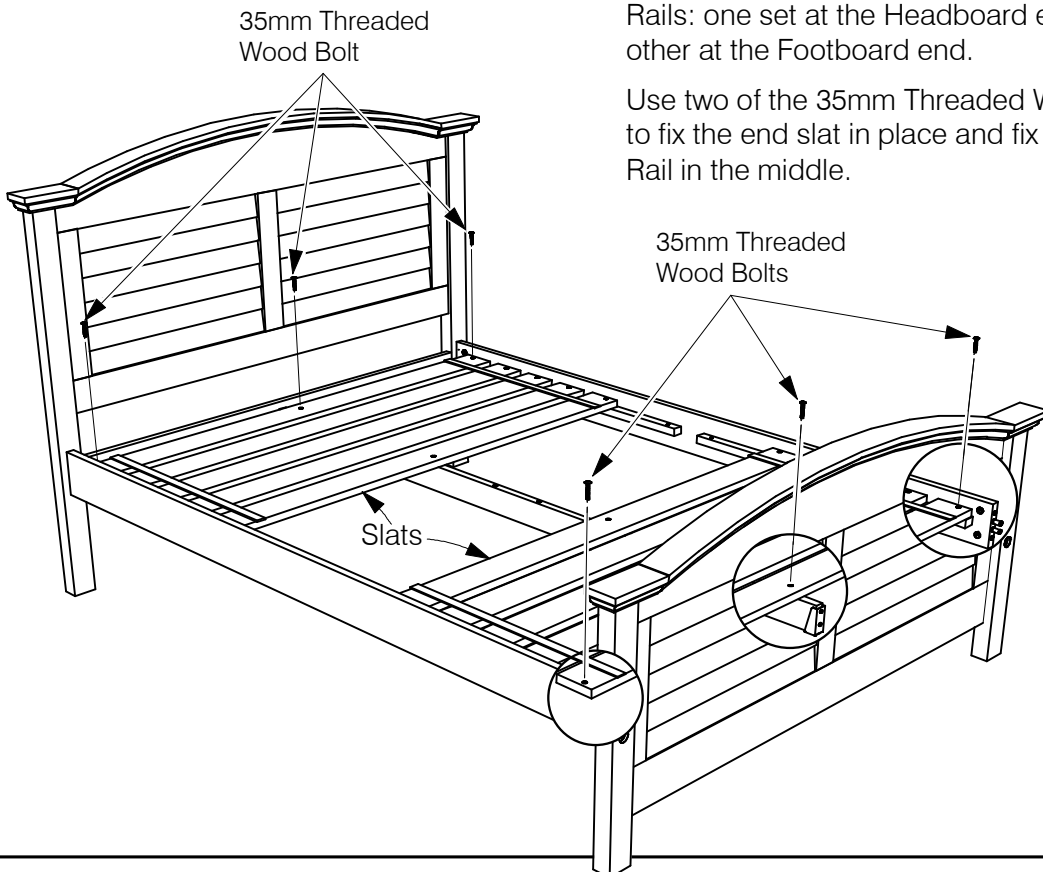


3A Fit the Center Rail.



Sit the Center Rail onto the Rail Brackets. Make sure the holes in the Center Rail face upward.

3B Fit the Sets of Slats between the Rails.

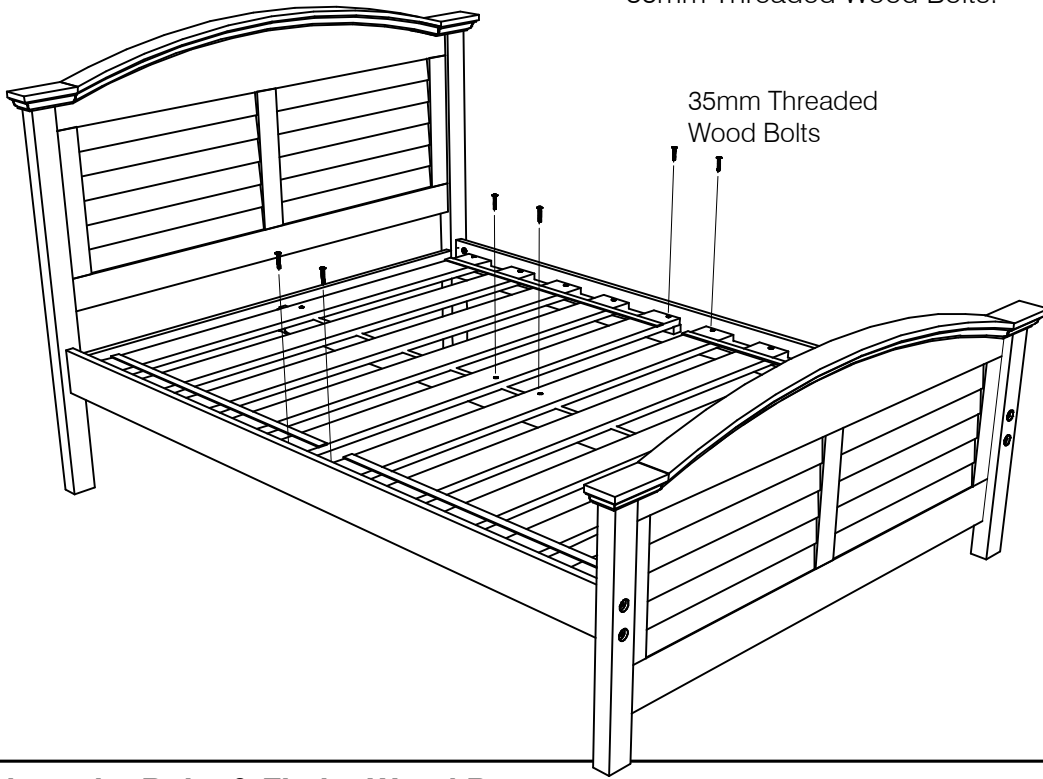


Lay the Set of Slats out loosely inside the Rails: one set at the Headboard end, the other at the Footboard end.

Use two of the 35mm Threaded Wood Bolts to fix the end slat in place and fix the Center Rail in the middle.

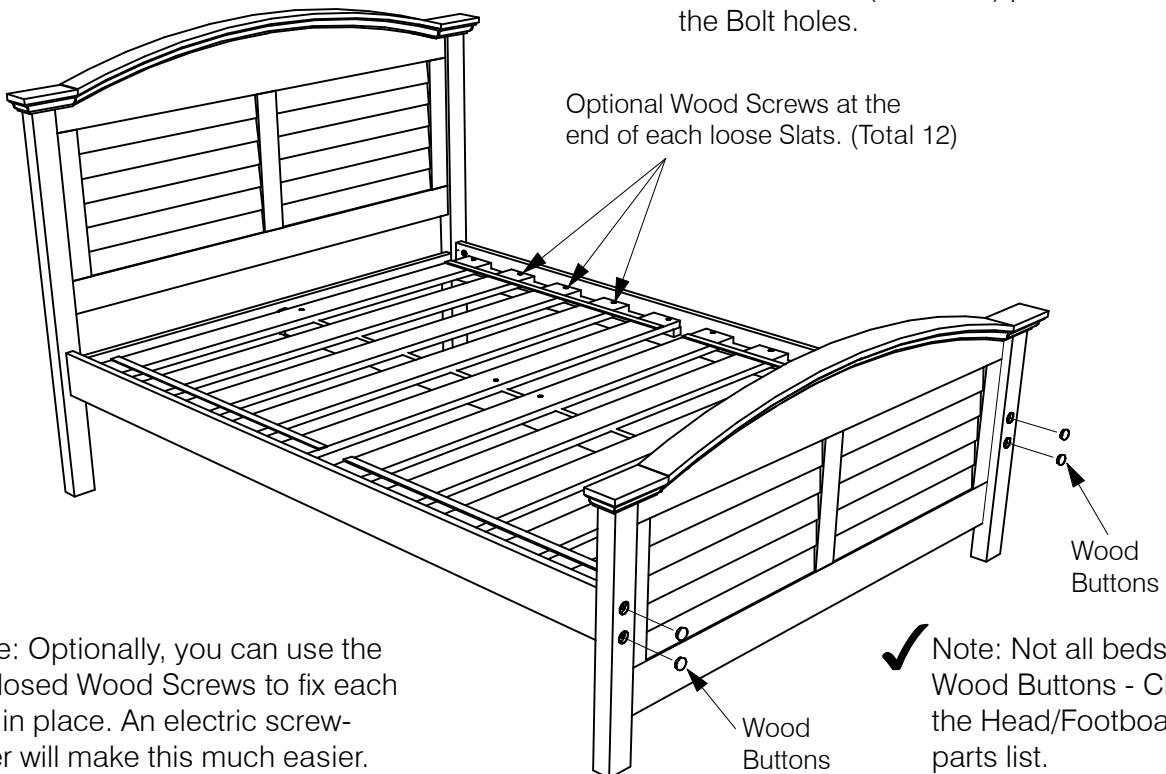
4A Fix the Slats in place.

Open out the Slats and fix with the remaining 35mm Threaded Wood Bolts.



4B Tighten the Bolts & Fit the Wood Buttons.

When everything is put together tighten all the Bolts. If the Headboard/Footboard have Wood Buttons (not all do) push fit them into the Bolt holes.



✓ Note: Optionally, you can use the enclosed Wood Screws to fix each slat in place. An electric screw-diver will make this much easier.

✓ Note: Not all beds have Wood Buttons - Check the Head/Footboard parts list.