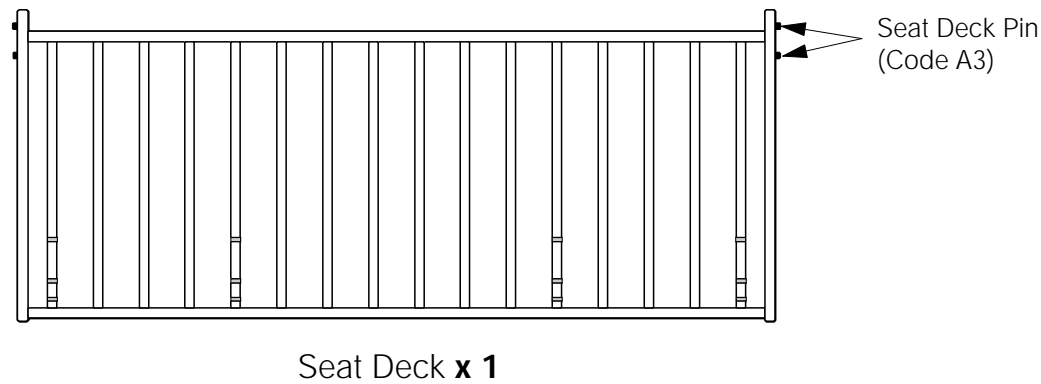
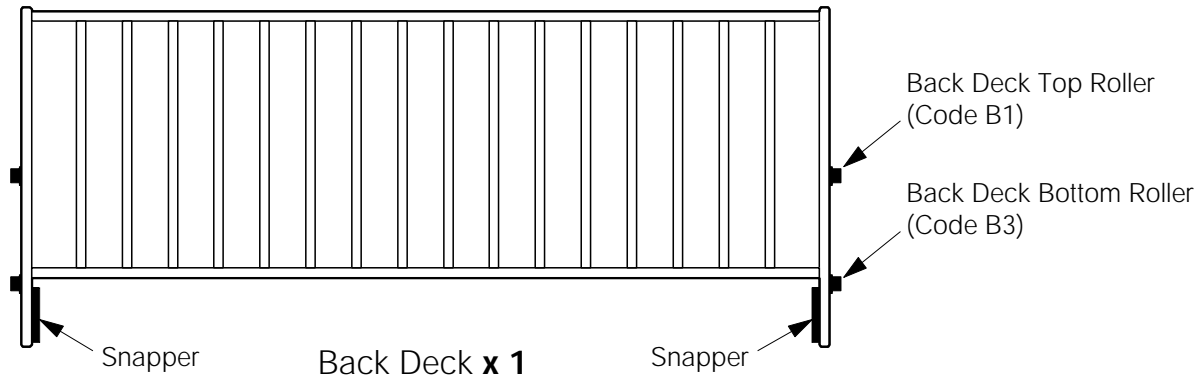


1A Parts in this box.



featuring the Rubber
SNAPPER™

SHOE FITTINGS™

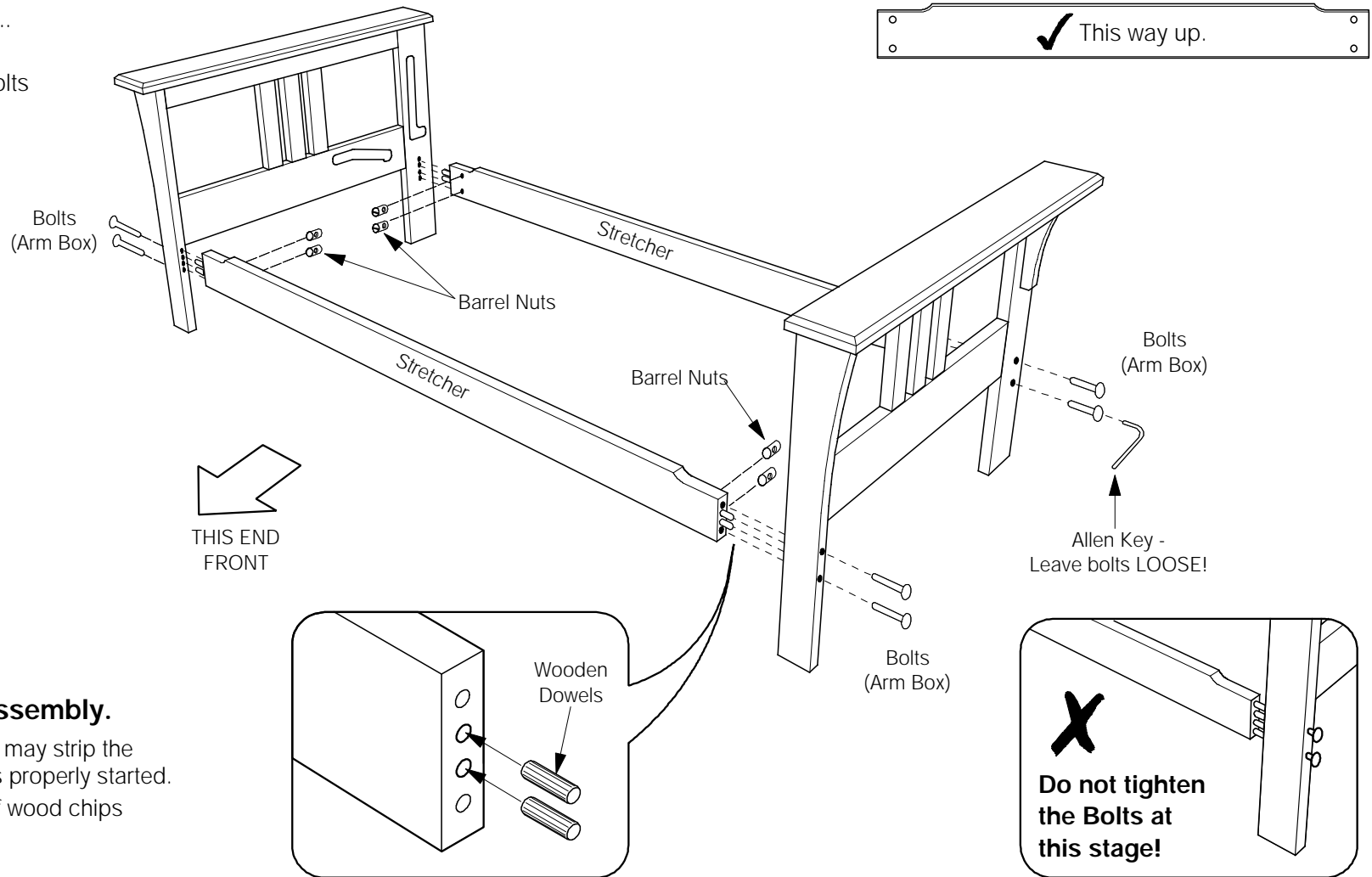
US Patent #6,715,166
Other Patents Pending

2A Attach Arms to Stretchers.

Fit the Wooden Dowels from the Arm Box into the middle two holes in the Stretchers. Using Bolts and Barrel Nuts also with the Arms, attach the Arms **LOOSELY** to the Stretchers as shown..

It is important that these bolts are left **LOOSE!**

Note: The raised side of the stretcher should face upwards.

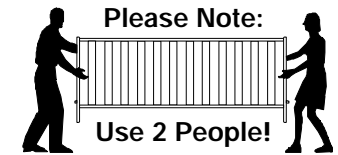
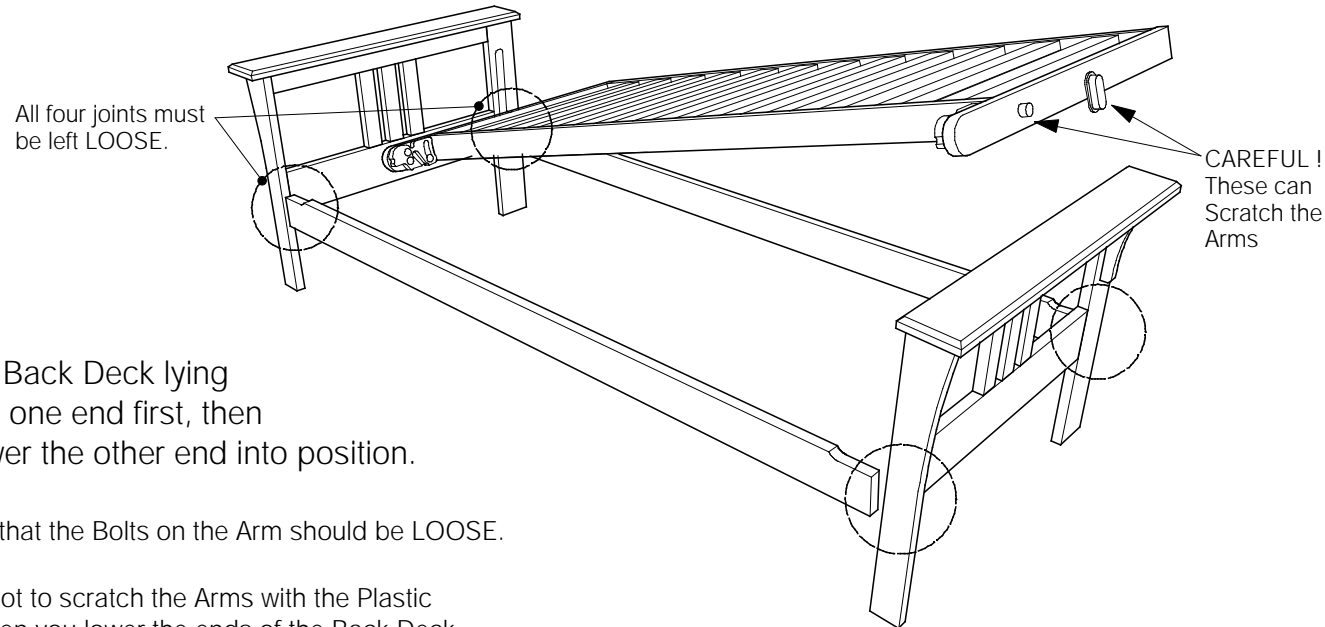


Bolt and Barrel Nut assembly.

- ✓ Do not force the Bolt as you may strip the thread. Be sure the thread is properly started.
- ✓ Be sure the holes are free of wood chips and saw dust.

3A Fit the Back Deck into Position:

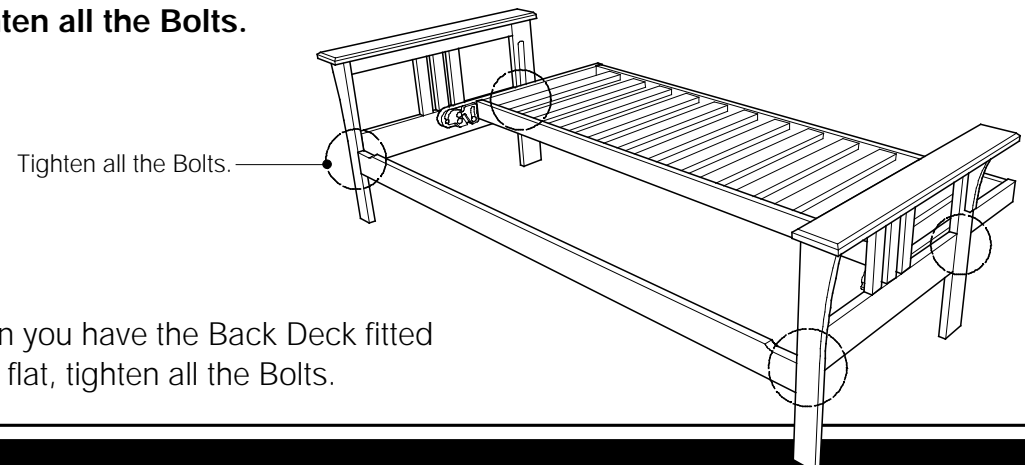
Your arm style may vary



Insert the Back Deck lying flat. Insert one end first, then gently lower the other end into position.

- ✓ Remember that the Bolts on the Arm should be LOOSE.
- ✗ Be careful not to scratch the Arms with the Plastic Runners when you lower the ends of the Back Deck.

3B Tighten all the Bolts.



Assembly Instructions

Fit the Seat Deck

Chair • Love seat • Full • Queen

SHOE FITTINGS™ Bronze

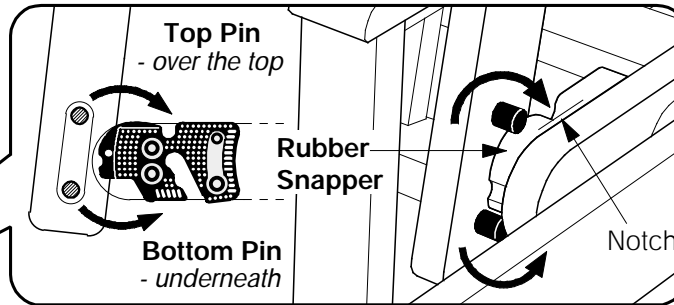
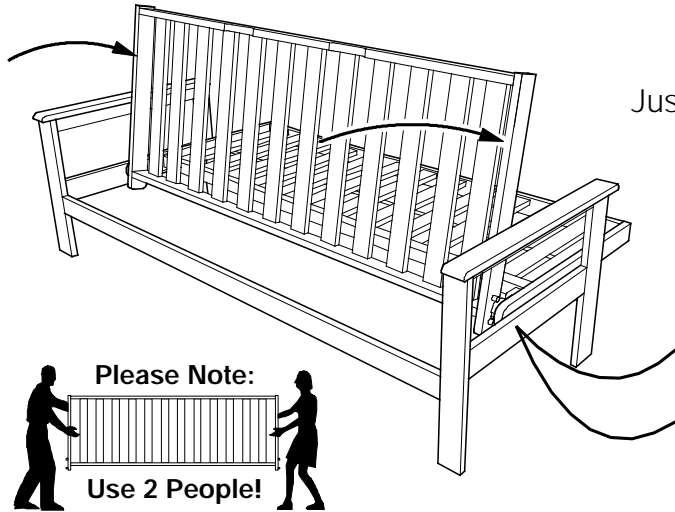
ND 0404

4A Hook the Seat Deck onto the Snapper.

Lift the Seat Deck in vertically, so the Pins meet with the Rubber Snapper. The head of the Snapper should fit **between both Pins**.

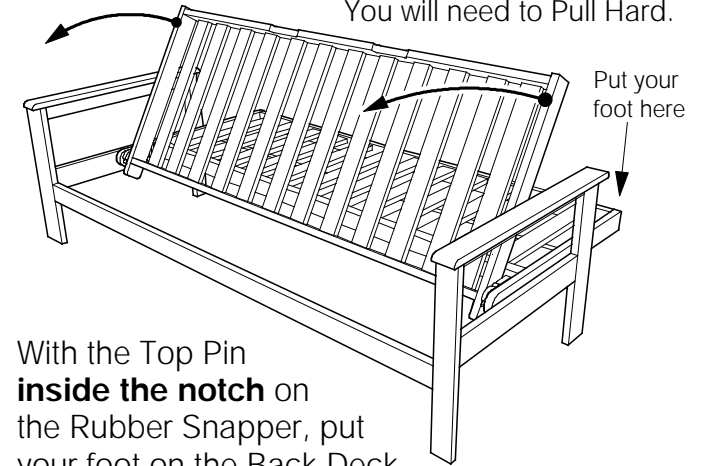
Just remember:

- The Top Pin - fits over the top,
- The Lower Pin - goes underneath.



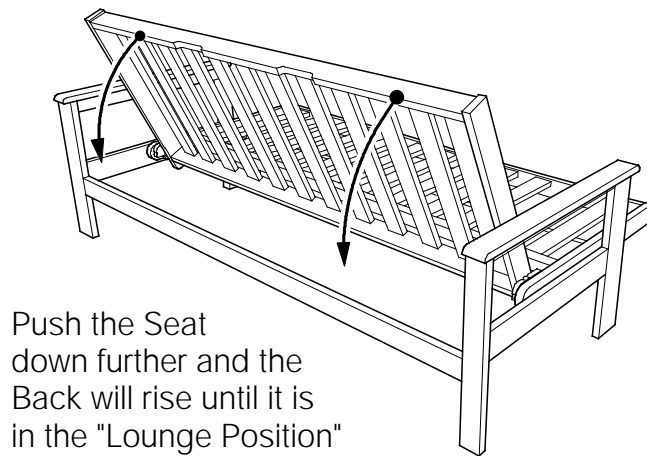
4B Pull the Seat over the "Snap Point."

You will need to Pull Hard.



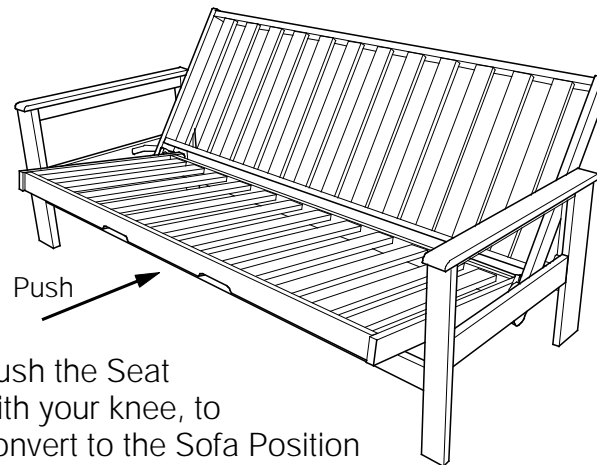
With the Top Pin **inside the notch** on the Rubber Snapper, put your foot on the Back Deck and pull the Seat over the "Snap Point"

4C Push down on the Seat, and the Back will Lift.



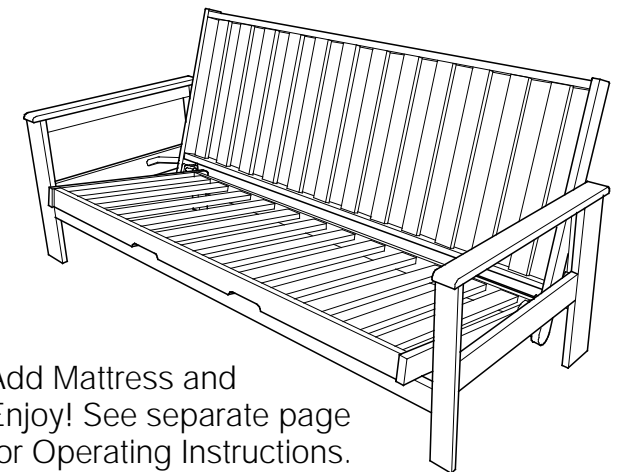
Push the Seat down further and the Back will rise until it is in the "Lounge Position"

4D This is the Lounge Position.



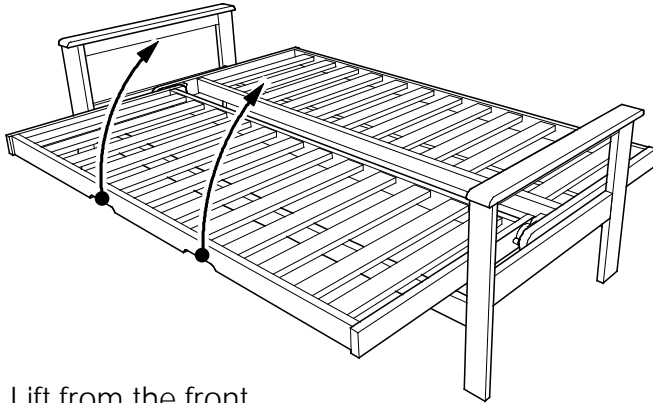
Push the Seat with your knee, to convert to the Sofa Position

4E This is the Sofa Position.



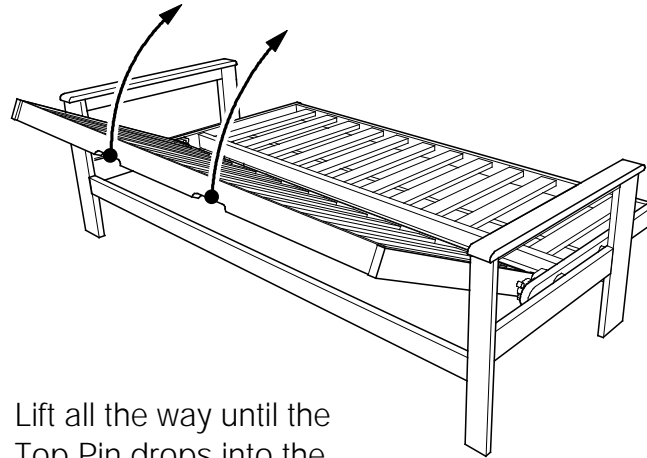
Add Mattress and Enjoy! See separate page for Operating Instructions.

5A From the Bed position, lift the Seat.



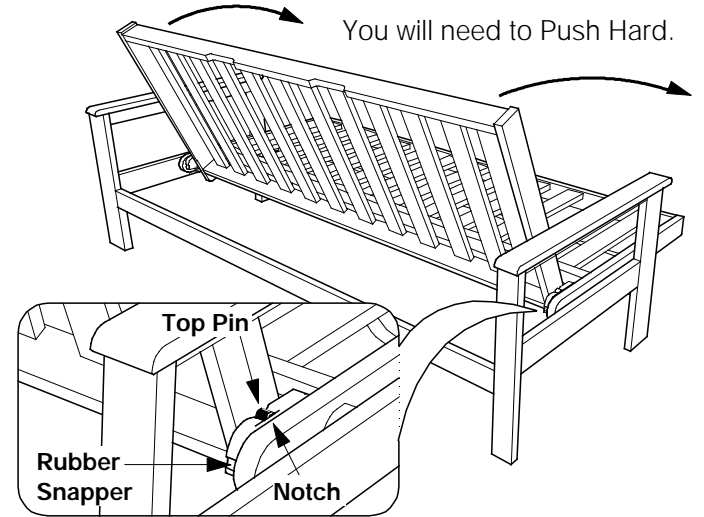
Lift from the front, using both Handles.

5B Lift the Seat all the way.

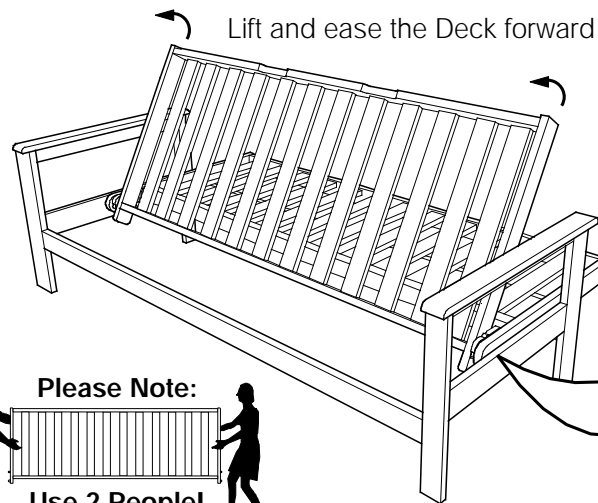


Lift all the way until the Top Pin drops into the notch on the Rubber Snapper.

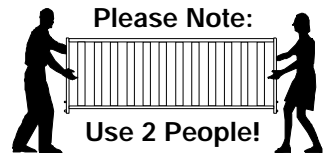
5C Push the Seat over the "Snap Point."



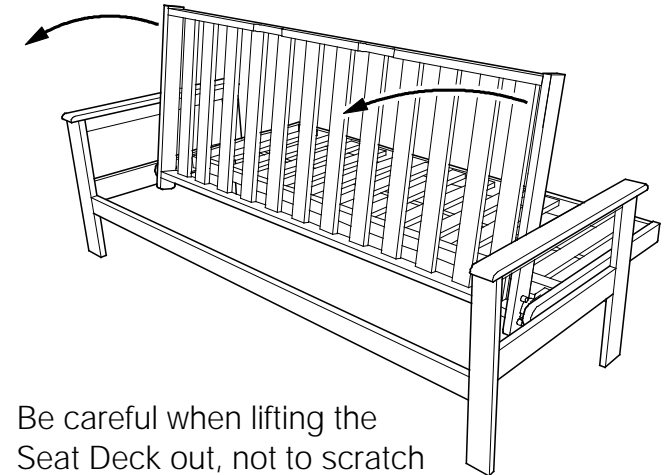
5D From the Back, lift out the Top Pin and ease the Seat Deck forward.



Lift up so the Top Pin is out of its notch in the Rubber Snapper. Ease the Back Deck forward, keeping it orientated vertically.



5E Lift the Seat clear of the frame.



Be careful when lifting the Seat Deck out, not to scratch the Arms with the Rollers.