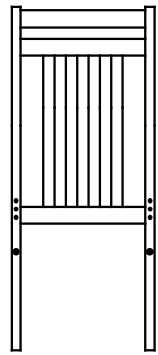


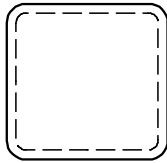
# Assembly Instructions Student Chair

0805

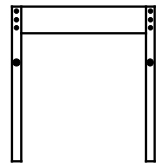
## 1A Parts in this box.



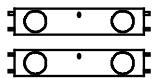
Rear legs x 1



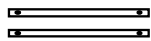
Seat x 1



Front legs x 1

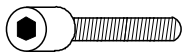


Rails x 2



Round bar x 2

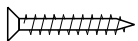
## 1B Hardware in this box.



1 3/16" Bolts x 4



Washers x 4



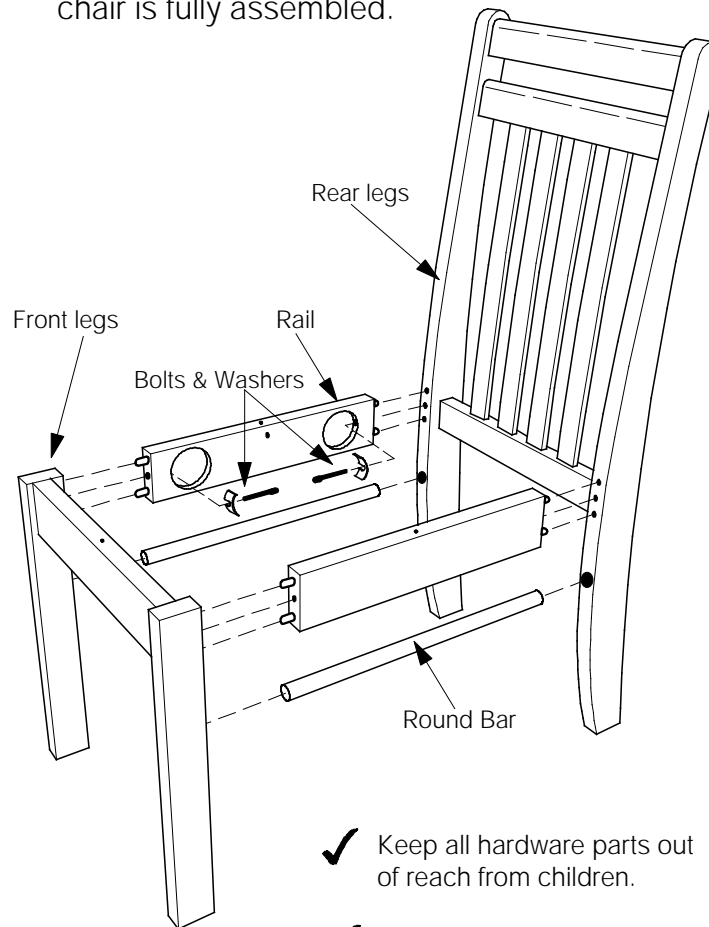
Wood Screws x 7



Allen Key  
x 1

## 2A Assemble the Rails to the Legs

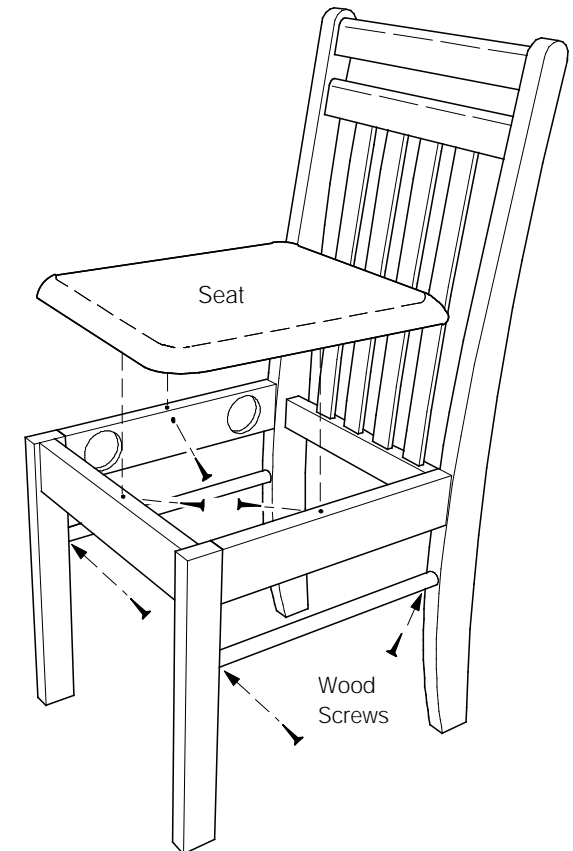
Assemble the chair as shown below.  
Do not fully tighten the bolts until the chair is fully assembled.



- ✓ Keep all hardware parts out of reach from children.
- ✓ Remove all wrapping materials, including staples & packing straps. Refer to the illustration for the placement of the parts.

## 2B Assemble the Seat

Fit the seat to the chair and secure with three Wood screws from below. Fix the Round bars in place with the remaining Wood screws.



- ✓ Do not tighten Bolts until ready to assemble the seat.