

Assembly Instructions

BIFOLD FUTON FRAME RATTAN LOUNGER

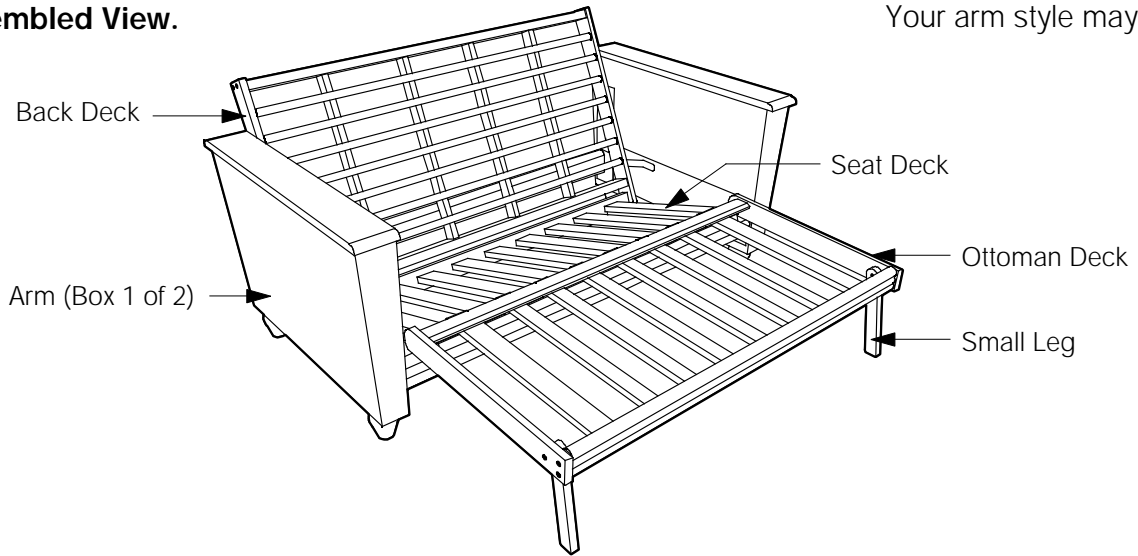
Instructions apply to all sizes:

• Twin • Love seat

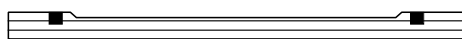
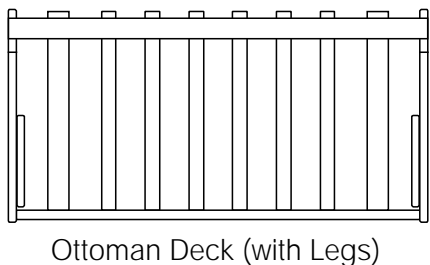
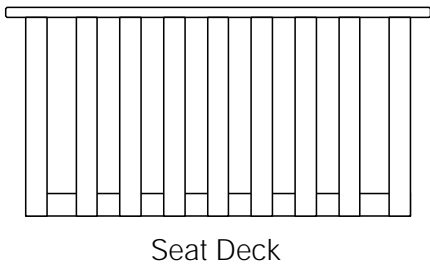
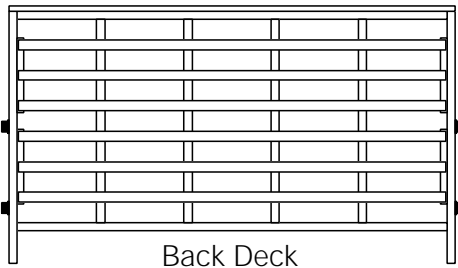
N&D-0505

1A Assembled View.

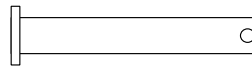
Your arm style may vary



1B Parts in this box.



1C Hardware in this box.



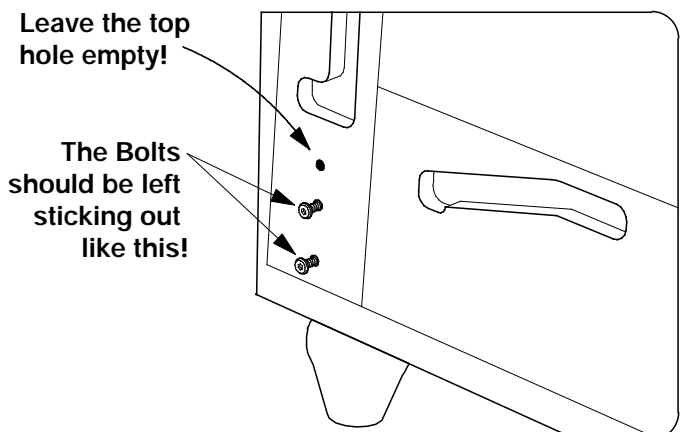
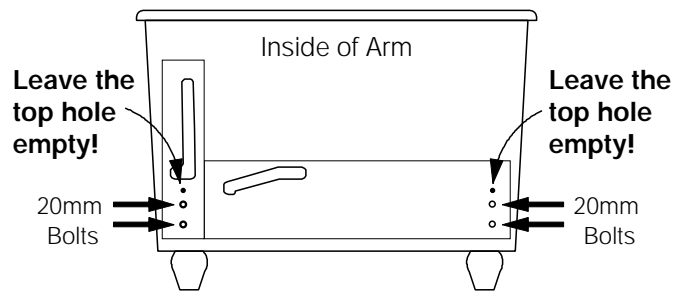
Clevis Pins
x 2 Pieces



Locking Pins
x 2 Pieces

1D Fit Bolts loosely to Arms.

Insert the 20mm Bolts into the bottom two holes on the Arms. Screw in about five turns only.

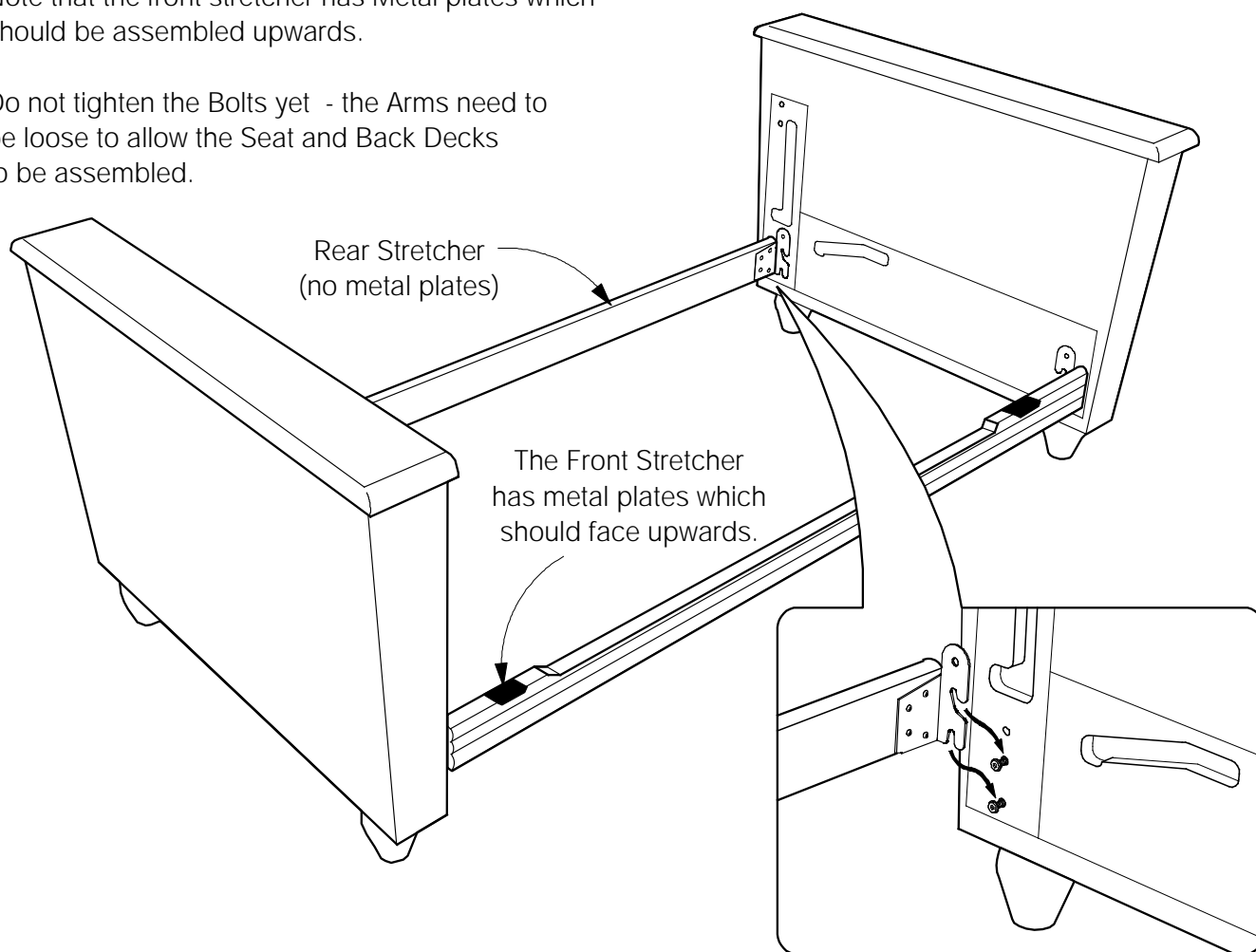


2A Fit Bolts loosely to Arms.

Your arm style may vary.

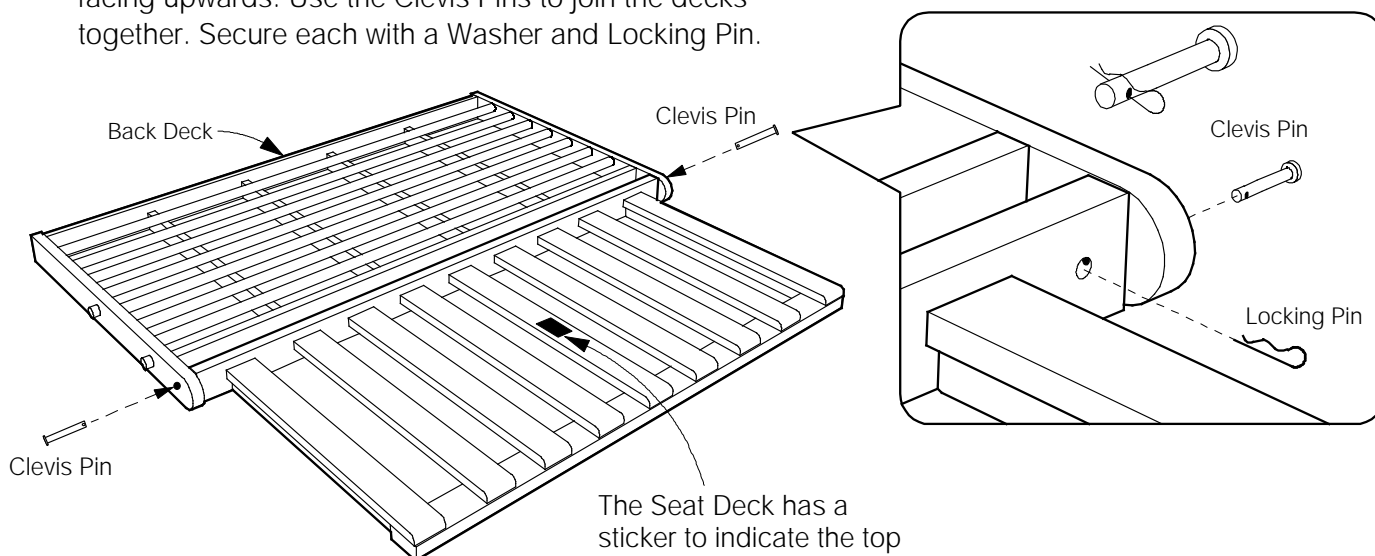
Carefully hook the stretchers on to the Bolts on the Arms.
 Note that the front stretcher has Metal plates which should be assembled upwards.

Do not tighten the Bolts yet - the Arms need to be loose to allow the Seat and Back Decks to be assembled.



2B Join the Back and Seat Deck together.

A. Lay both decks on a smooth flat surface, with the slats facing upwards. Use the Clevis Pins to join the decks together. Secure each with a Washer and Locking Pin.



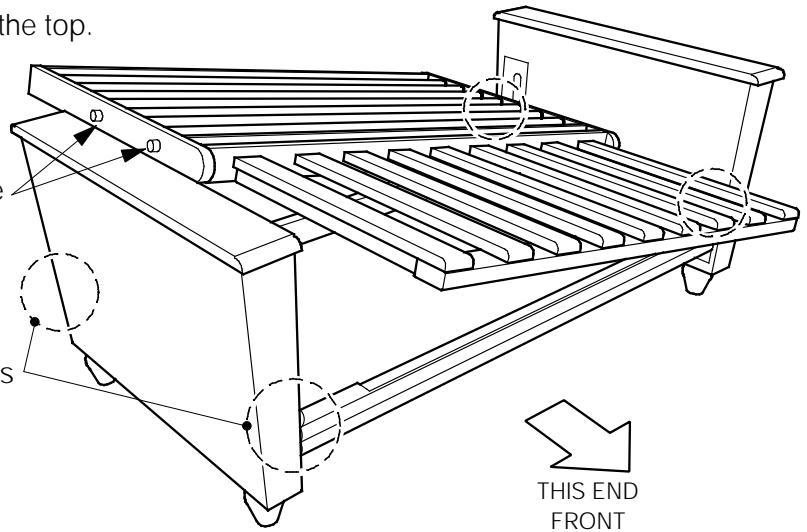
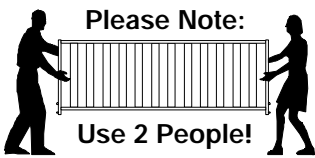
3A Fit Decks into Position.

Your arm style may vary

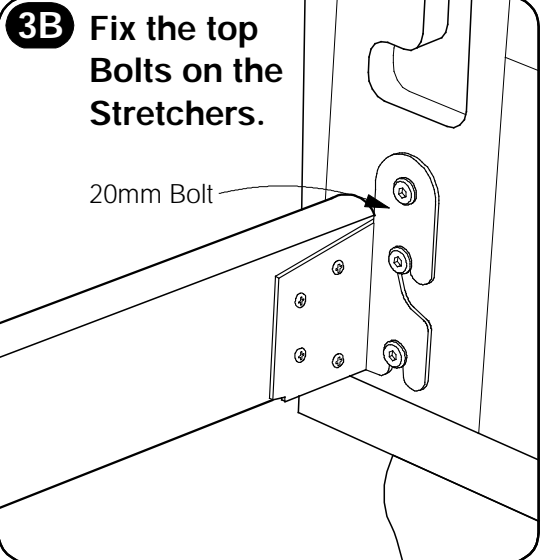
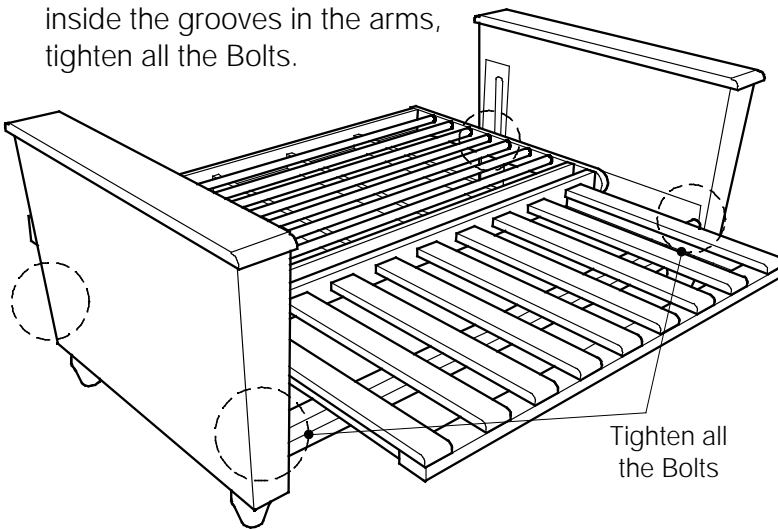
- A. Insert Both Decks lying flat. Insert one end first, then gently lower the other end into position. Please note the orientation of the deck with the slats at the top.

CAREFUL! These can scratch the Arms.

All four joints must be left LOOSE!



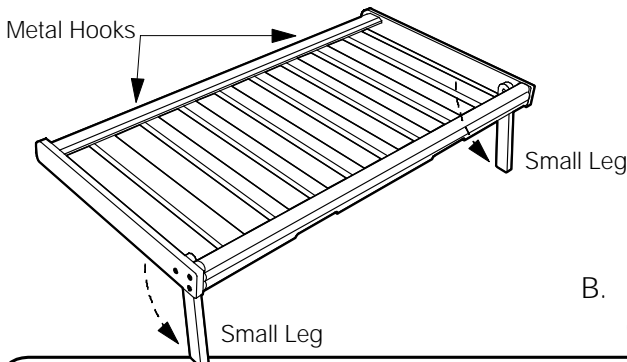
- B. When you have Both Decks inside the grooves in the arms, tighten all the Bolts.



3C Hook the Ottoman Deck onto the Seat Deck.

Your arm style may vary

- A. Extend the small legs on the Ottoman Deck.



- B. Hook the Ottoman Deck on to the Seat Deck

