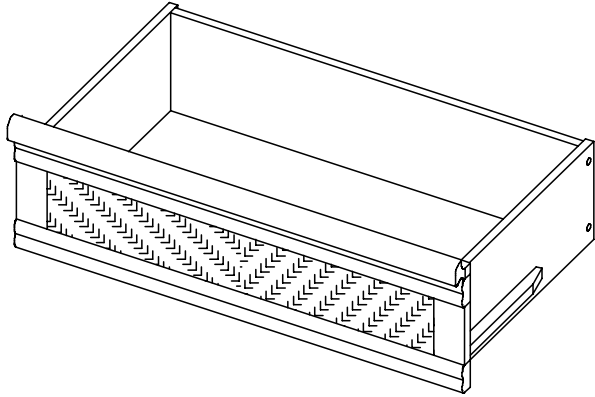
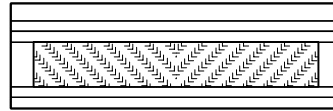


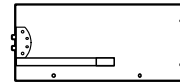
1 Assembled View.



2 Parts in this box.



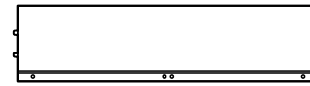
Drawer Front **x 2**



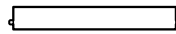
Side Panel **x 4**



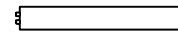
Drawer Bottom **x 2**



Back Panel **x 2**



Side Support **x 4**

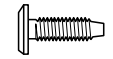


Center Support **x 2**

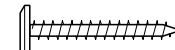
3 Hardware in this box.



60mm Bolts
x 8



16mm Bolts
x 8



40mm Threaded
Wood Bolts **x 8**

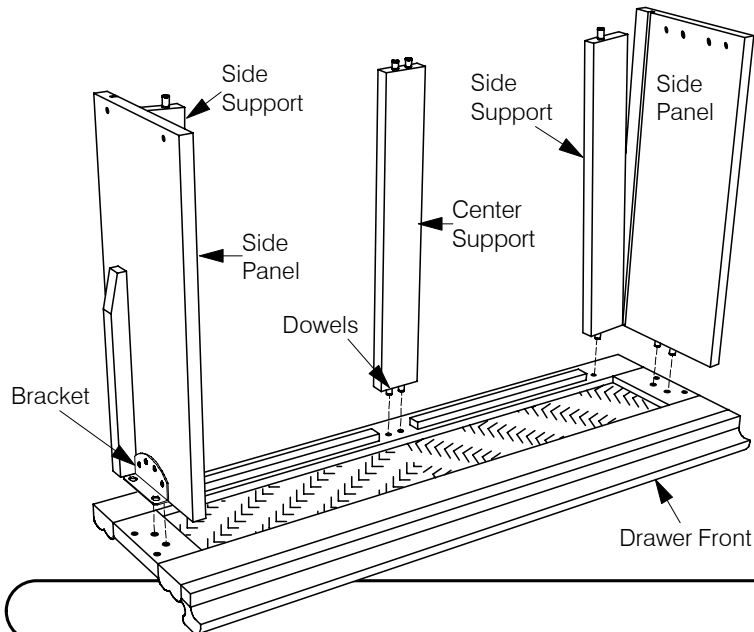


Barrel Nuts
x 8



Allen Key **x 1**

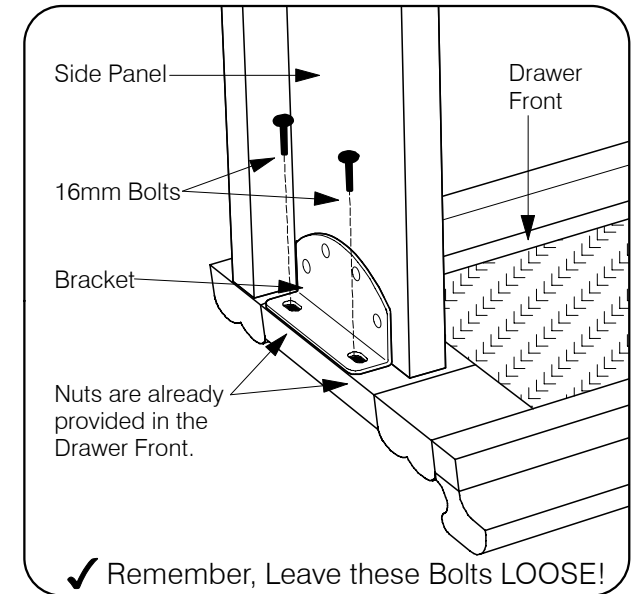
4 Fit Side Panels and Support onto Drawer Face.



Lay the Drawer Front on a smooth, flat surface so the holes are facing upwards.

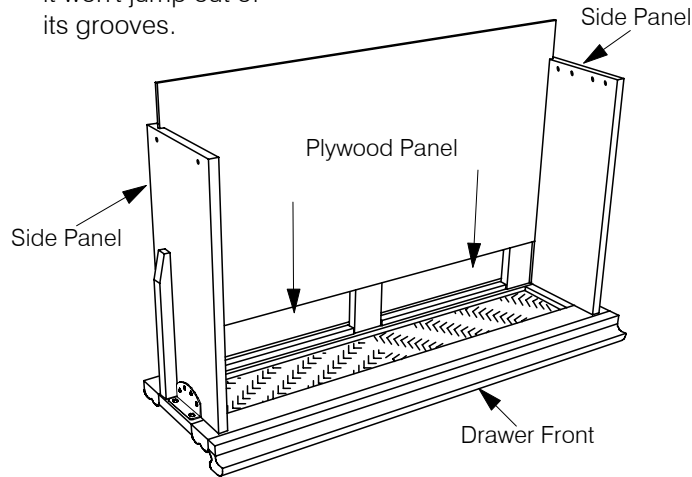
Fit the Side Panels to the Drawer Front, fitting the dowels in the holes. Use two 16mm Bolts to attach the Side Panel in place, but don't fully tighten these yet. Leave them a bit loose, to make fitting the Back Panel easier.

Fit the Support into dowel holes provided on the Drawer Front.



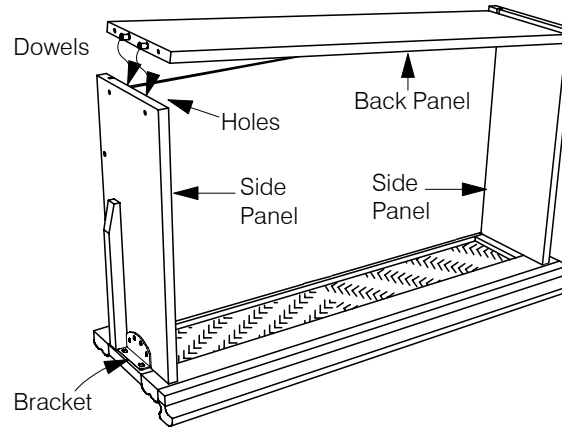
5 Fit in the Plywood Panel.

Guide the Plywood Panel in carefully so that it won't jump out of its grooves.



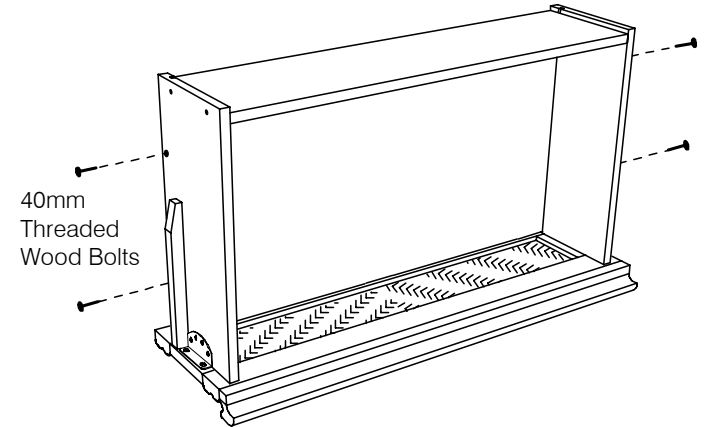
6 Fit the Back Panel.

Gently spread the Side Panels apart a bit to fit the dowels. Afterwards, tighten the bolts on the Brackets.



7 Bolt the Side Supports.

Bolt the Side Supports with 40mm Threaded Wood Bolts.



8 Bolt Back Panel in Place.

Carefully turn the assembled Drawer down. using the 60mm Bolts and Barrel Nuts, secure the Back Panel in place.

