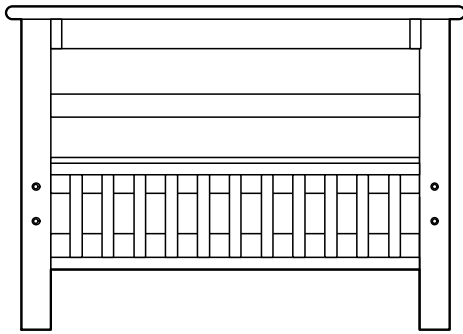


Assembly Instructions

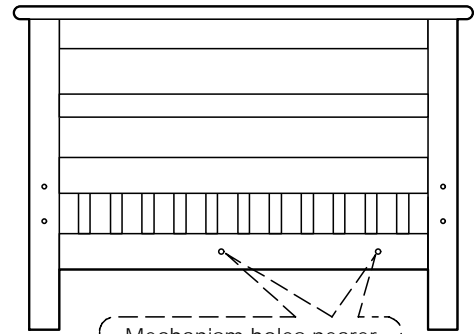
MARK ARM

ND-0307

1 Parts in this Box:



Wood Arms x 2



Mechanism holes nearer to the Back Leg.

Hardware to Attach the Stretchers



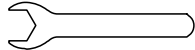
60mm M6 Bolts x 8
For the Back & Front Legs.



Small Washers x 8



M6 Nuts x 8



Small Wrench x 1



4mm Allen Key x 1

Hardware to Attach the Mechanisms



40mm M8 Bolts x 4
For the Mechanism.



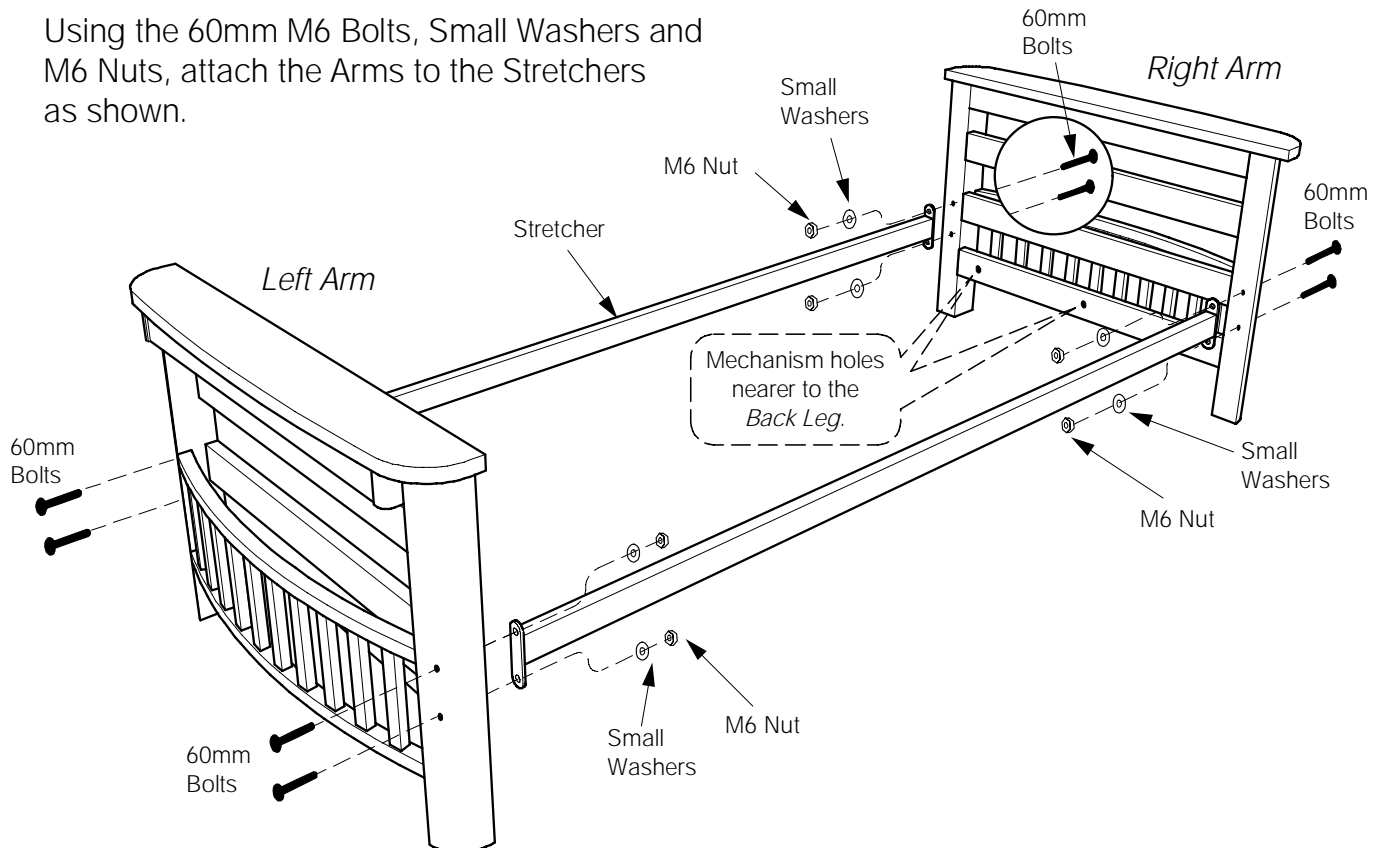
Big Washers x 4



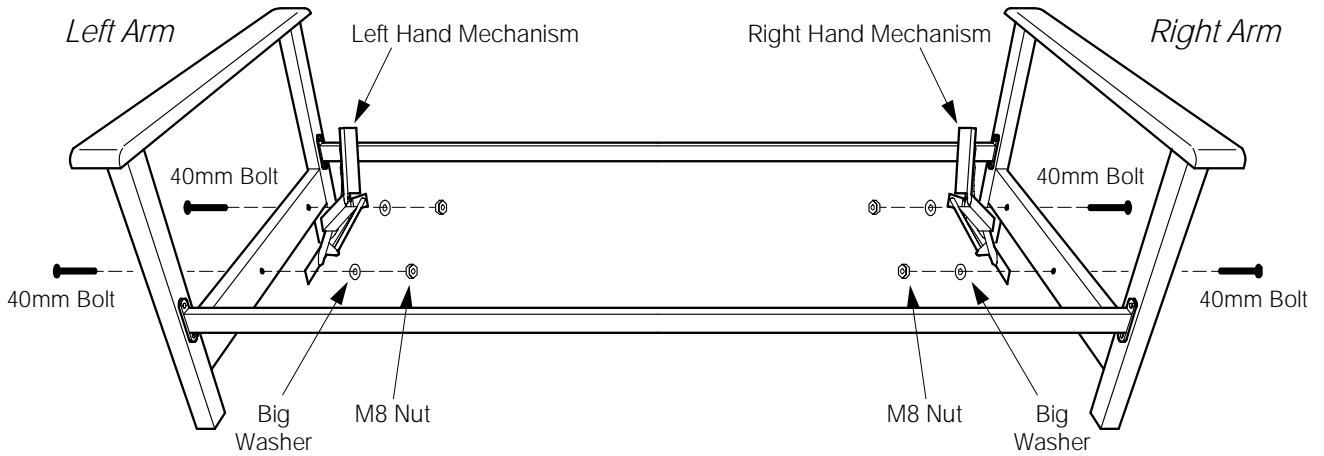
M8 Nuts x 4

2 Attach the Arms to the Stretcher Bars.

Using the 60mm M6 Bolts, Small Washers and M6 Nuts, attach the Arms to the Stretchers as shown.

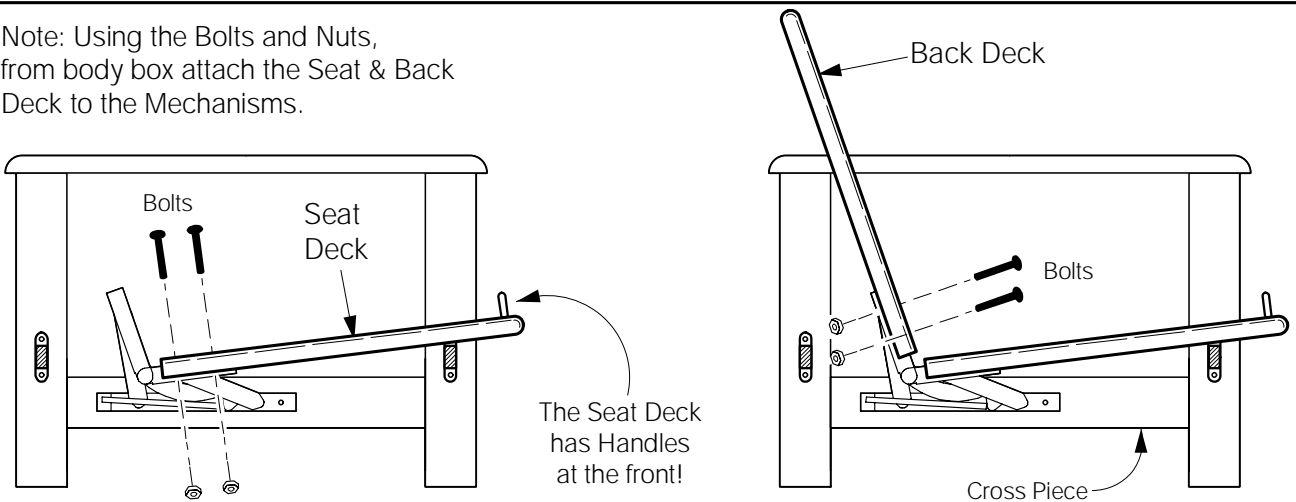


3 Attach the Mechanisms to the Arms.



3B Bolt the Seat and Back Deck to the Mechanisms.

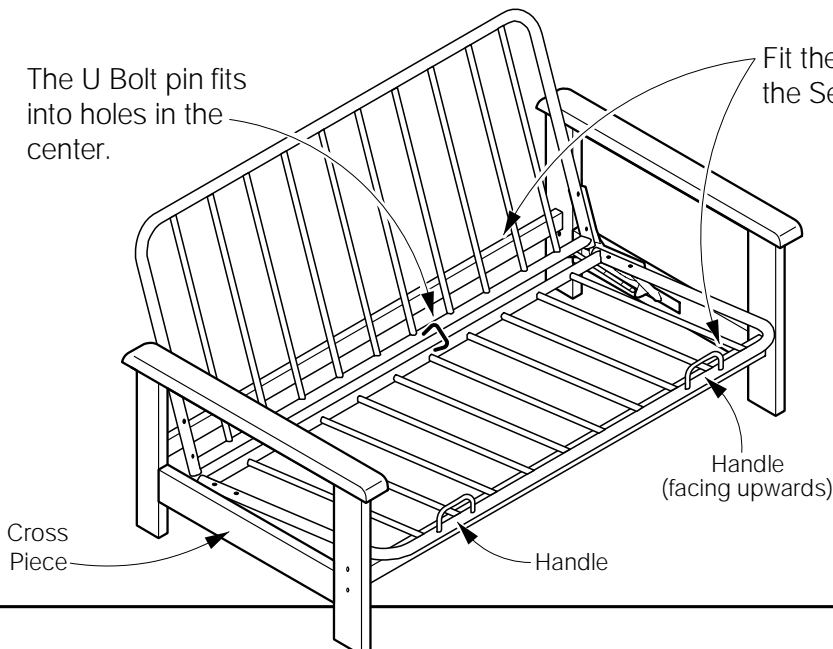
Note: Using the Bolts and Nuts, from body box attach the Seat & Back Deck to the Mechanisms.



3C Fit the U Bolt Pin & Rubber Pads.

The U Bolt pin fits into holes in the center.

Fit the Rubber Pads to the Stretcher where the Seat & Back Deck touch the Stretcher.



WARNING:

Do not attempt to carry your Futon Sofa from the top of the Arm.

When moving your Futon Sofa, hold the bottom of the Cross Piece.