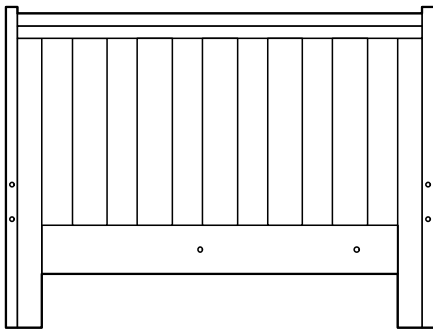


# Assembly Instructions

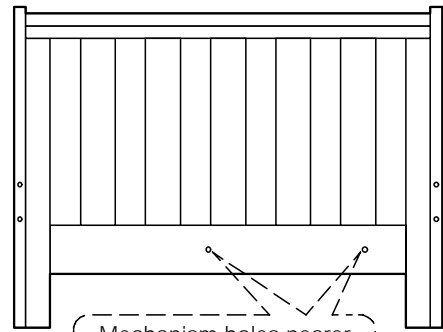
# LIRA ARM

ND-0307

## 1 Parts in this Box:



Wood Arms x 2



Mechanism holes nearer to the Back Leg.

### Hardware to Attach the Stretchers



80mm M6 Bolts x 4  
For the Front Legs.



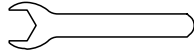
Small Washers  
x 8



M6 Nuts  
x 8



60mm M6 Bolts x 4  
For the Back Legs.



Small Wrench  
x 1



4mm Allen Key  
x 1

### Hardware to Attach the Mechanisms



40mm M8 Bolts x 4  
For the Mechanism.



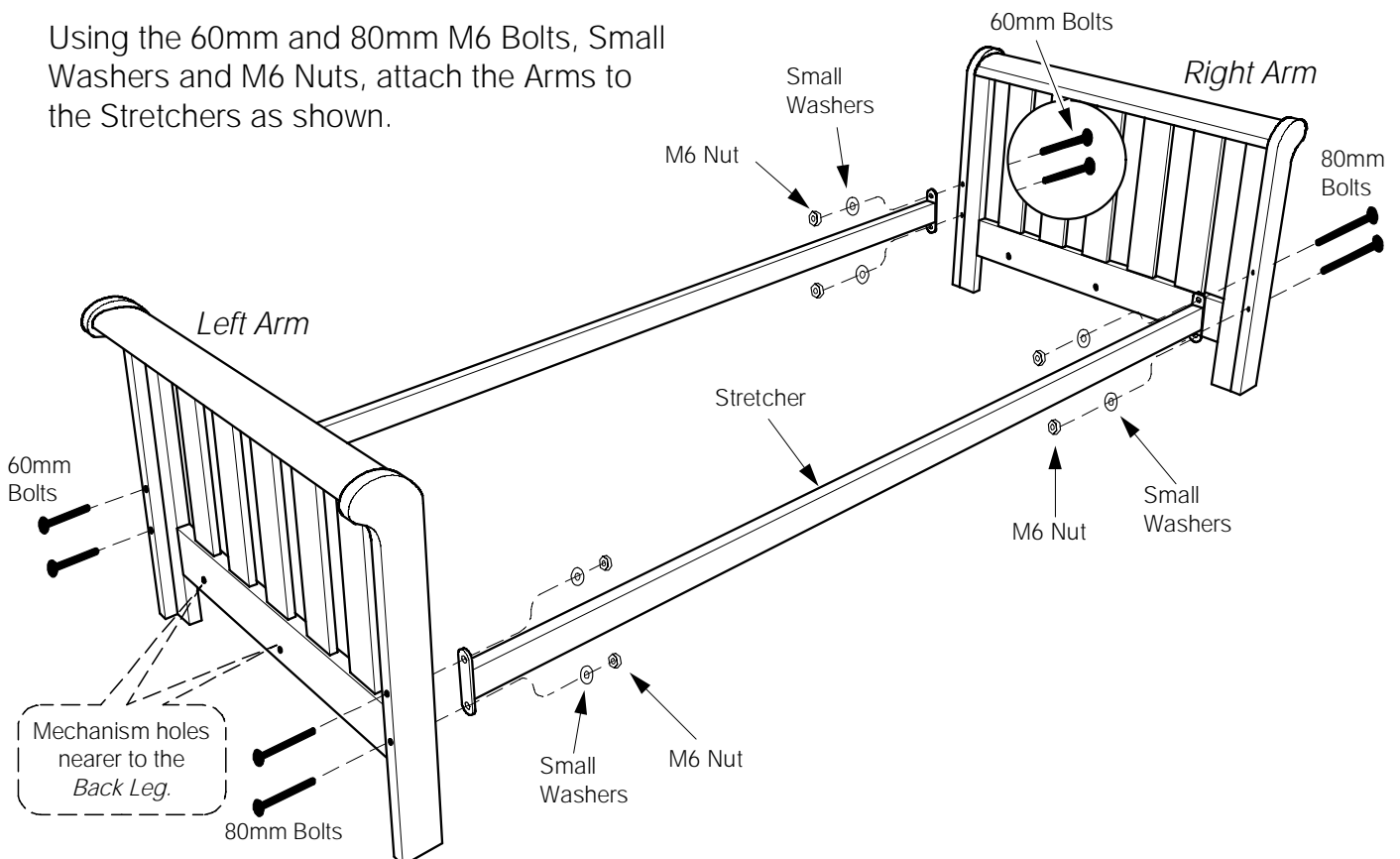
Big Washers  
x 4



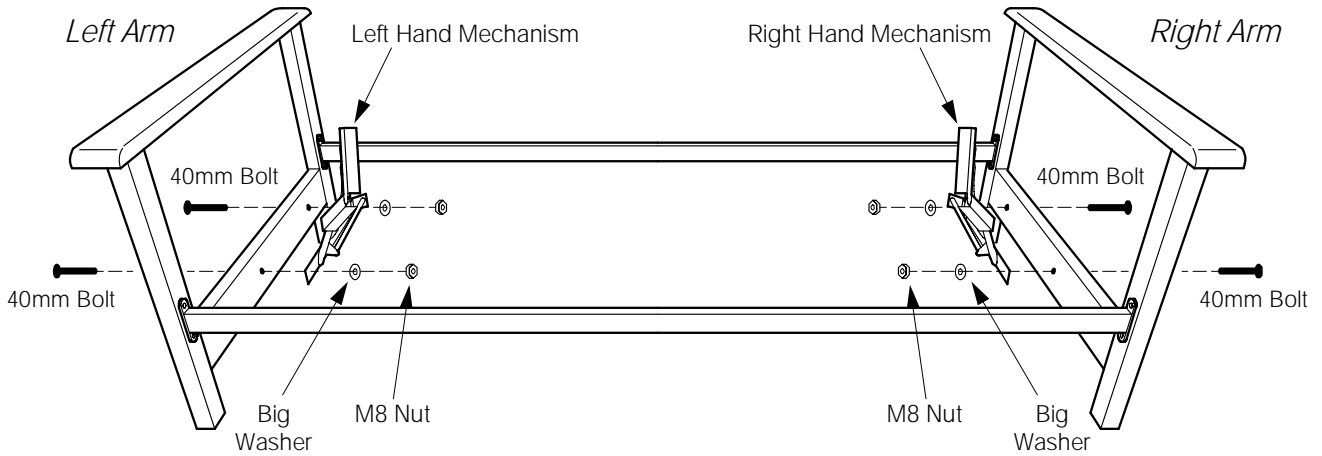
M8 Nuts  
x 4

## 2 Attach the Arms to the Stretcher Bars.

Using the 60mm and 80mm M6 Bolts, Small Washers and M6 Nuts, attach the Arms to the Stretchers as shown.

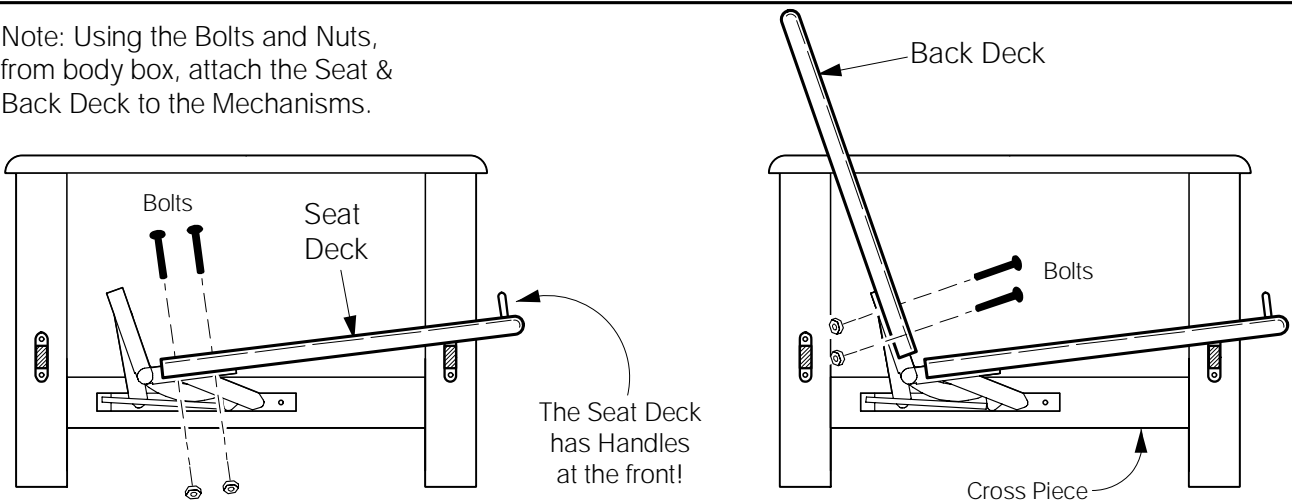


### 3 Attach the Mechanisms to the Arms.

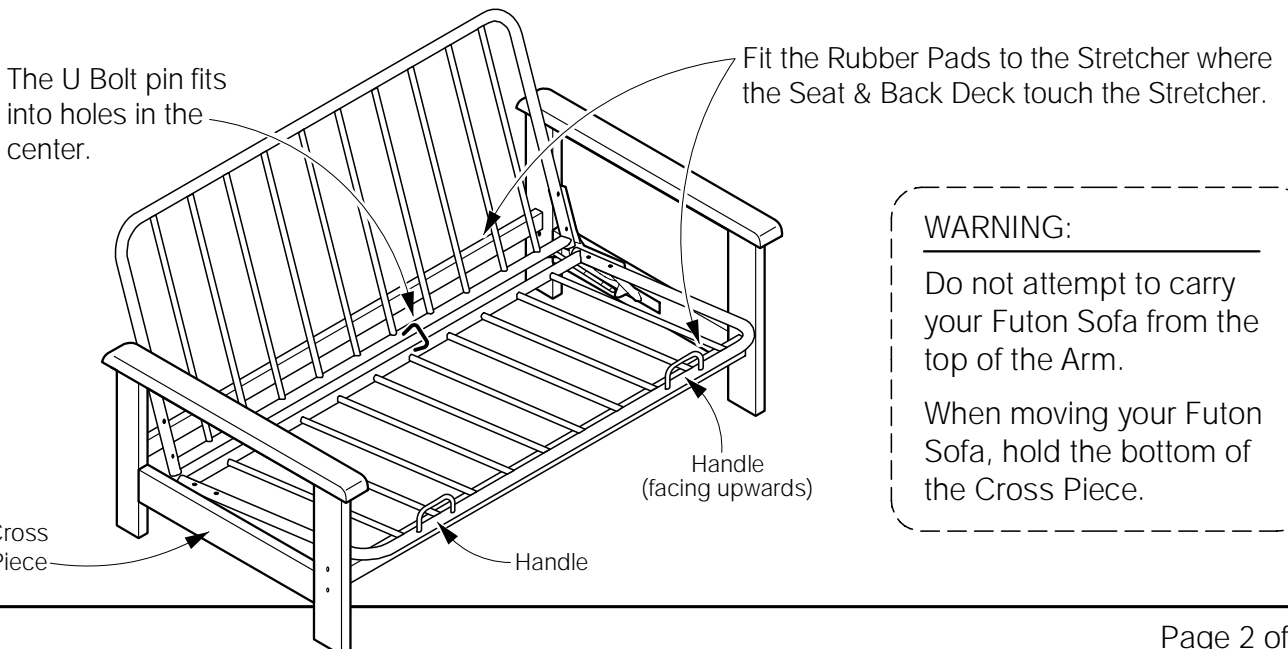


### 3B Bolt the Seat and Back Deck to the Mechanisms.

Note: Using the Bolts and Nuts, from body box, attach the Seat & Back Deck to the Mechanisms.



### 3C Fit the U Bolt Pin & Rubber Pads.



**WARNING:**

Do not attempt to carry your Futon Sofa from the top of the Arm.

When moving your Futon Sofa, hold the bottom of the Cross Piece.