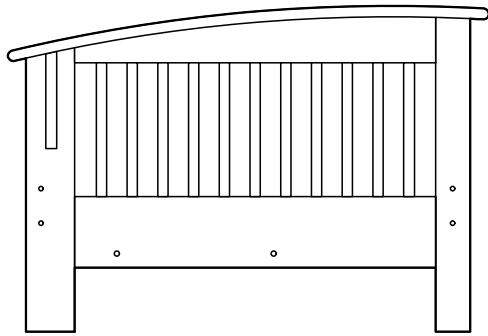
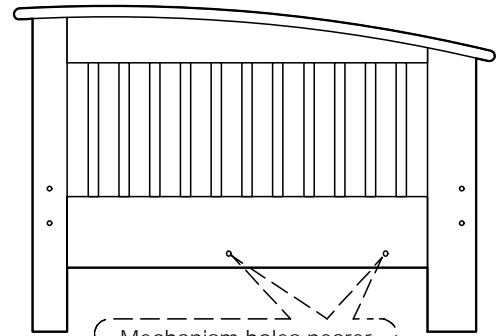


1 Parts in this Box:



Wood Arms x 2



Mechanism holes nearer to the Back Leg.

Hardware to Attach the Stretchers



80mm M6 Bolts x 4
For the Front Legs.



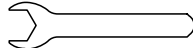
Small Washers
x 8



M6 Nuts
x 8



40mm M6 Bolts x 4
For the Back Legs.



Small Wrench
x 1



4mm Allen Key
x 1

Hardware to Attach the Mechanisms



40mm M8 Bolts x 4
For the Mechanism.



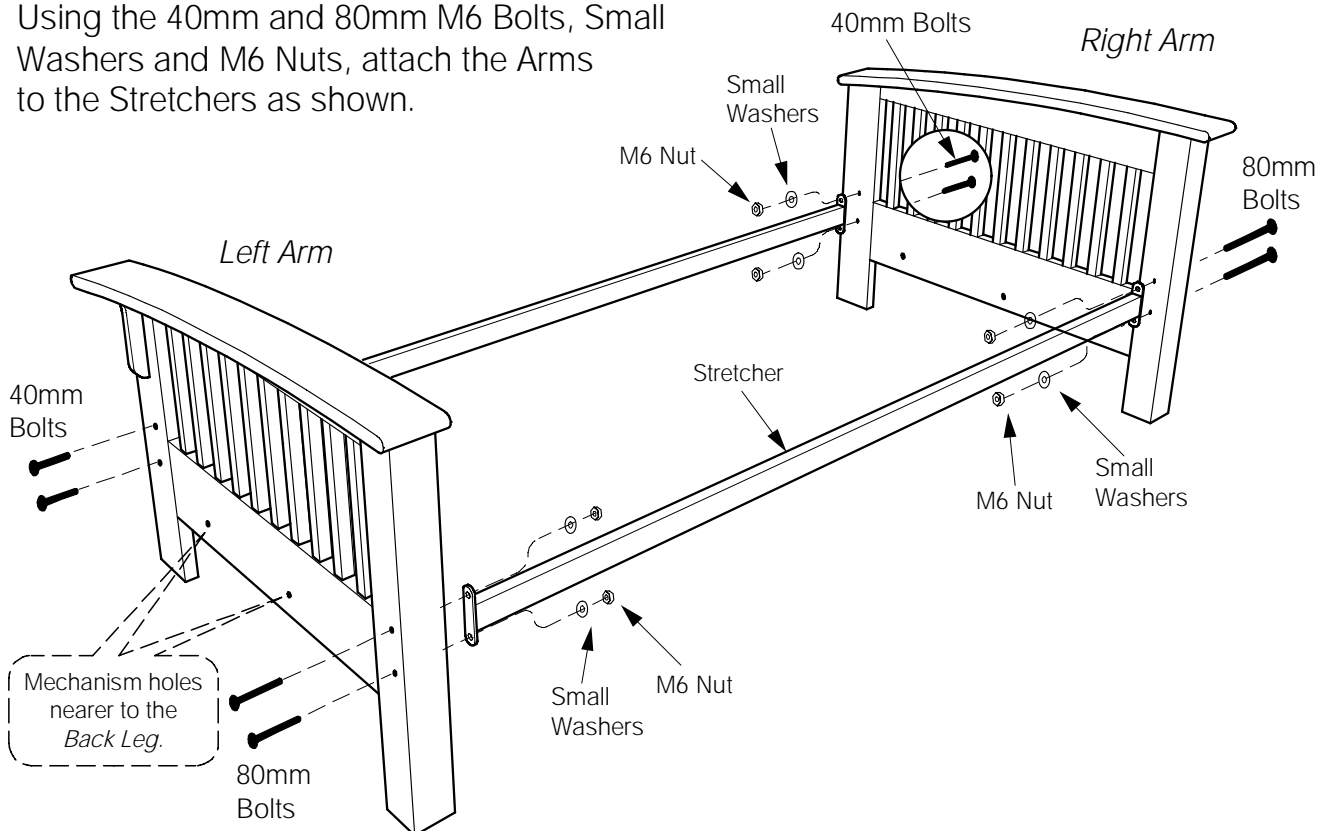
Big Washers
x 4



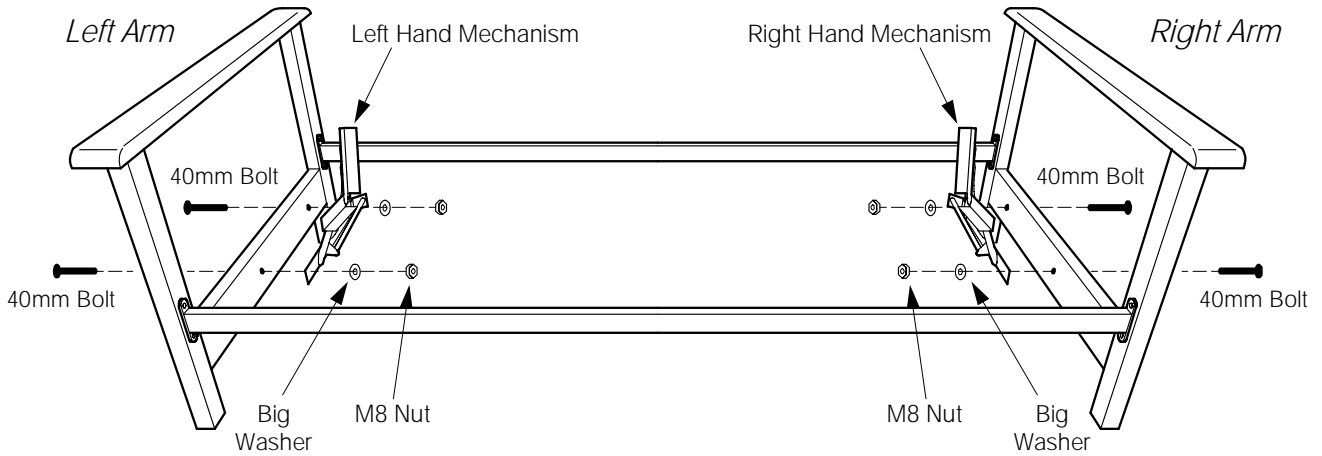
M8 Nuts
x 4

2 Attach the Arms to the Stretcher Bars.

Using the 40mm and 80mm M6 Bolts, Small Washers and M6 Nuts, attach the Arms to the Stretchers as shown.

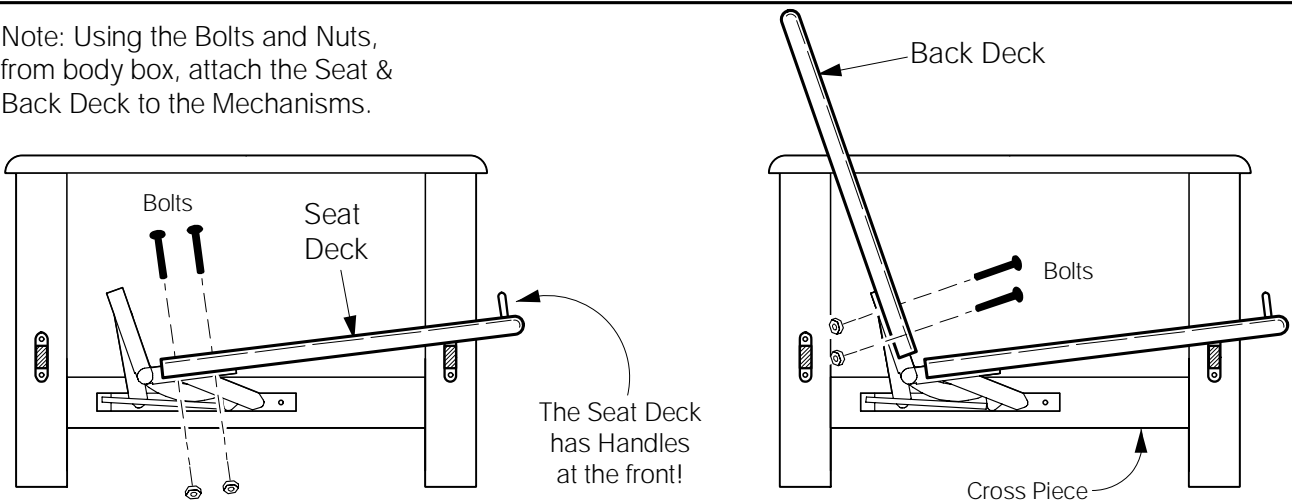


3 Attach the Mechanisms to the Arms.

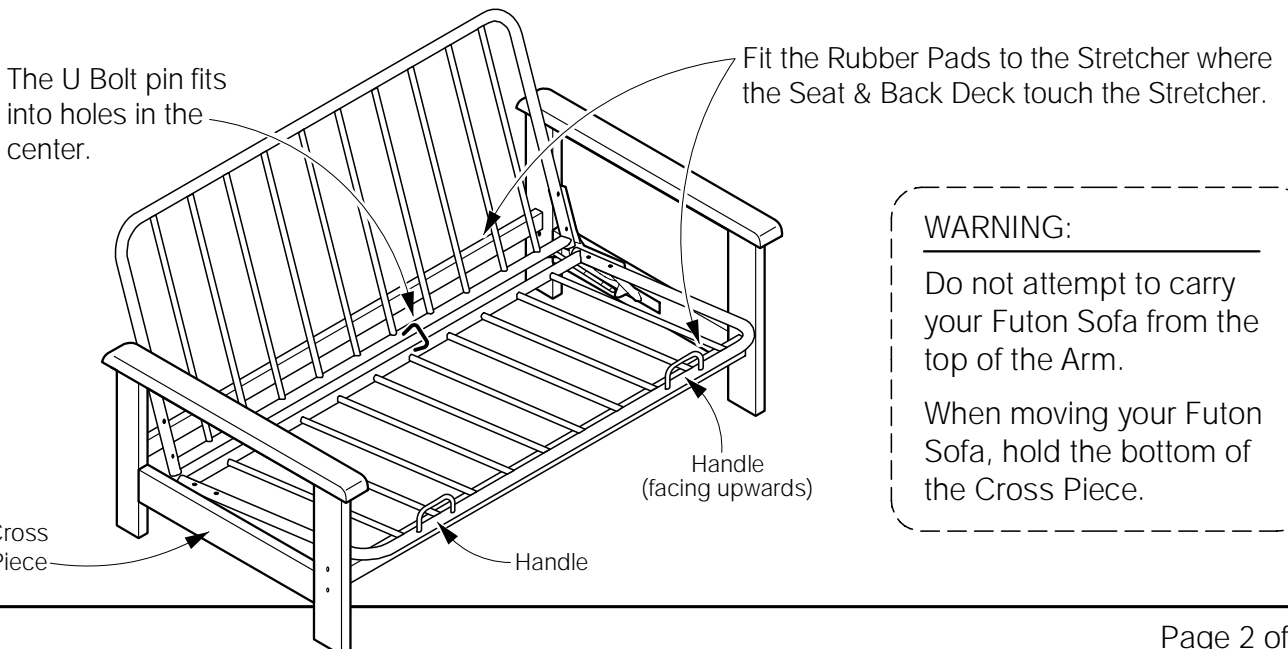


3B Bolt the Seat and Back Deck to the Mechanisms.

Note: Using the Bolts and Nuts, from body box, attach the Seat & Back Deck to the Mechanisms.



3C Fit the U Bolt Pin & Rubber Pads.



WARNING:

Do not attempt to carry your Futon Sofa from the top of the Arm.

When moving your Futon Sofa, hold the bottom of the Cross Piece.