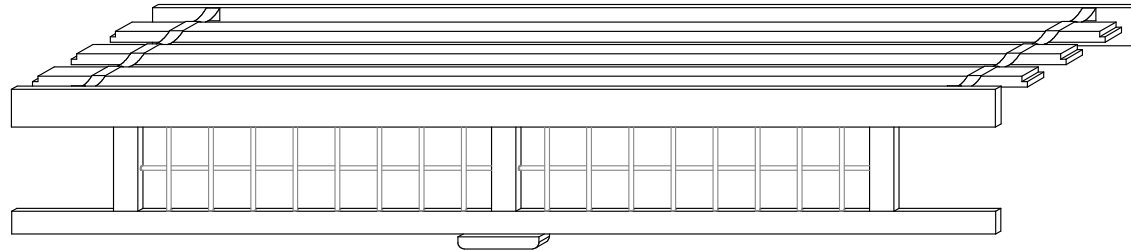
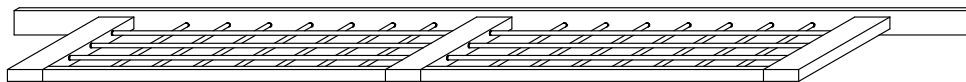


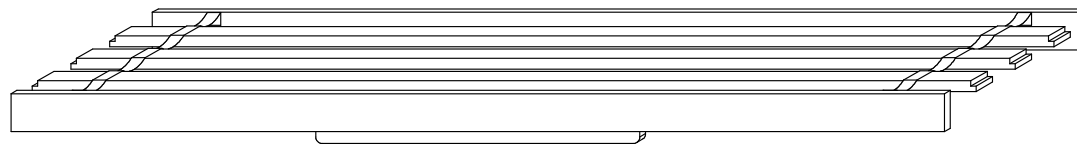
1A Parts in this box.



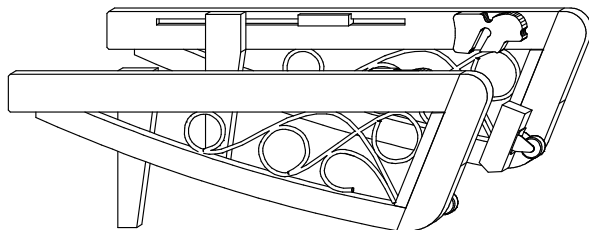
Back Deck **x 1**



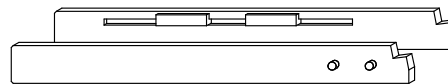
Storage Rack **x 1**



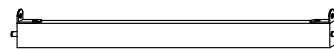
Seat Deck **x 1**



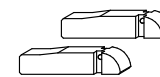
Back Side Rails
x 2 (left & right hand)



Seat Side Rails
x 2 (left & right hand)



Slat Supports
x 6

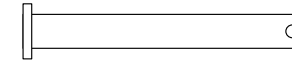


Kicker blocks **x 2**

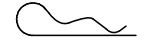


Seat Front Legs
x 2 (left and right hand)

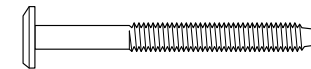
1B Hardware in this box.



Clevis Pin **x 2**



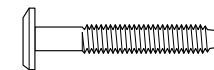
Locking Pin **x 2**



60mm Bolts **x 12**



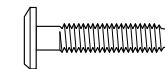
Wooden Dowel **x 20**



40mm Bolts **x 3**



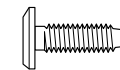
Barrel Nuts **x 12**



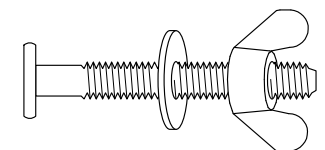
30mm Bolts **x 12**



Allen Key **x 1**

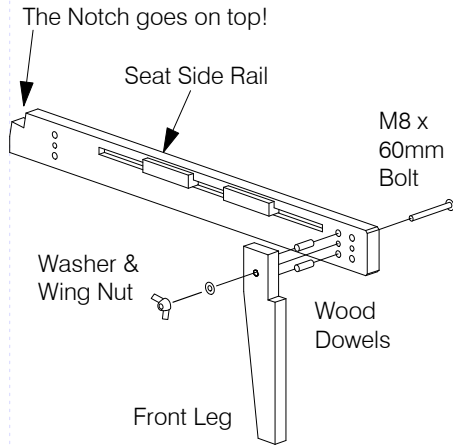


16mm Bolts **x 12**

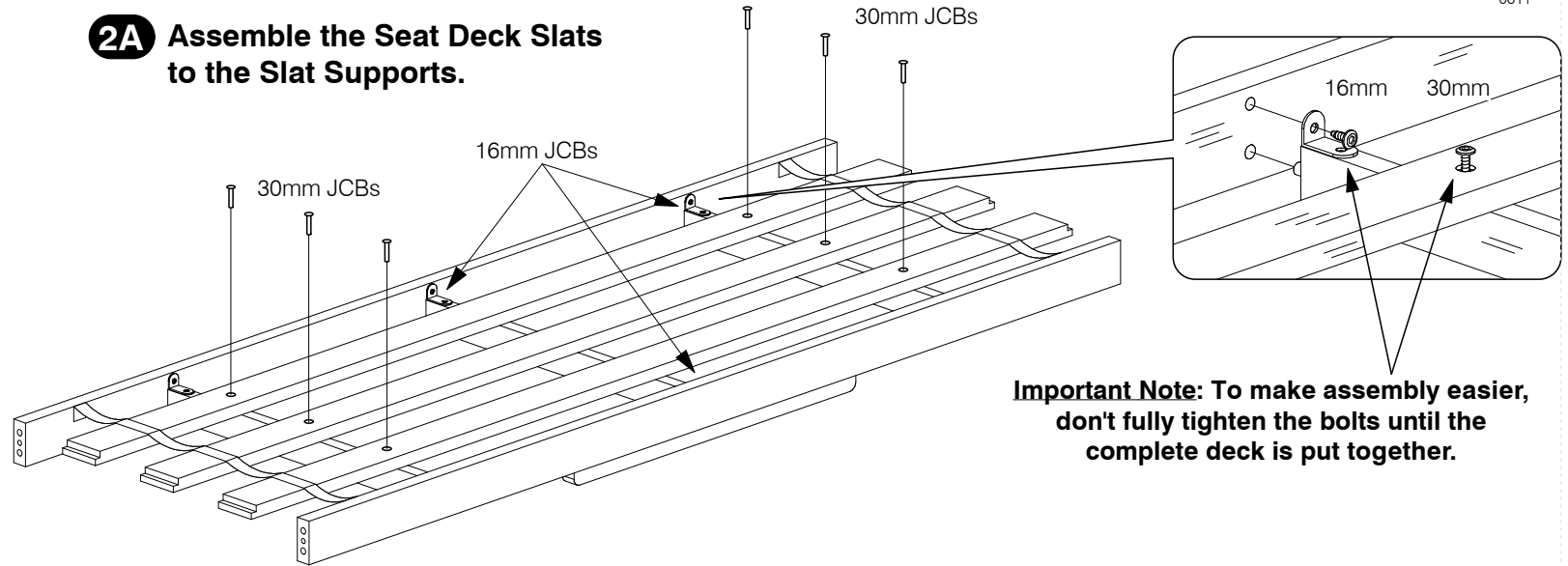


M8 x 60mm Bolt with
Washer & Wing Nut **x 2**

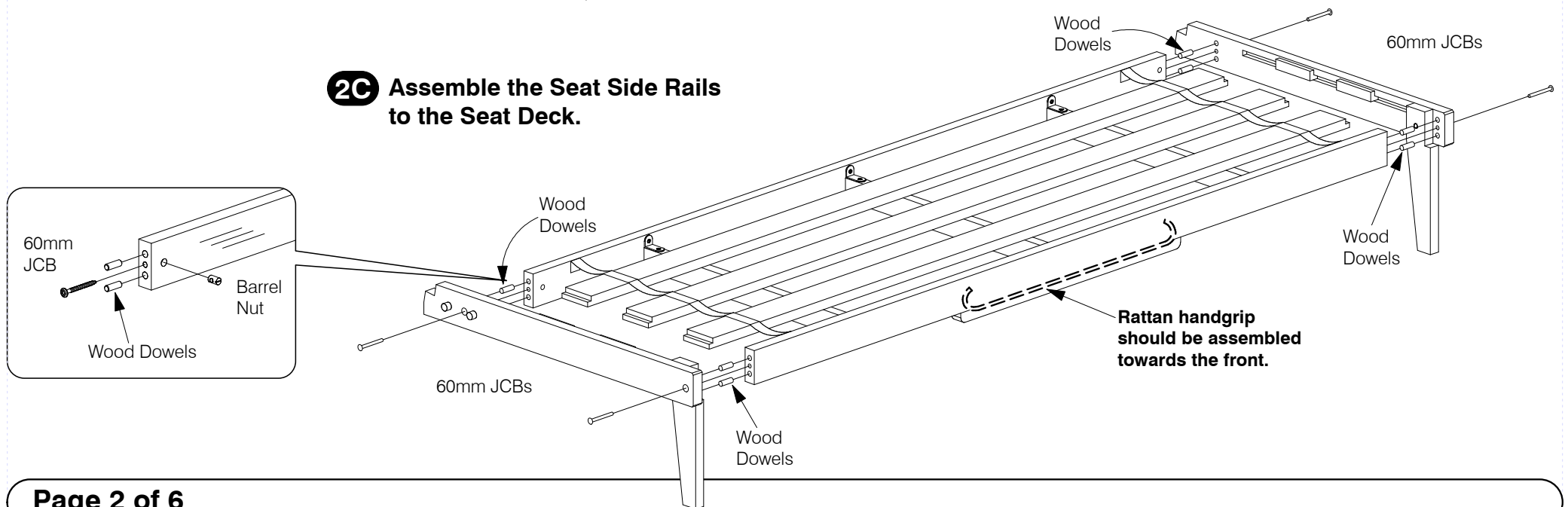
2A Assemble the Legs to the Seat Side Rails.



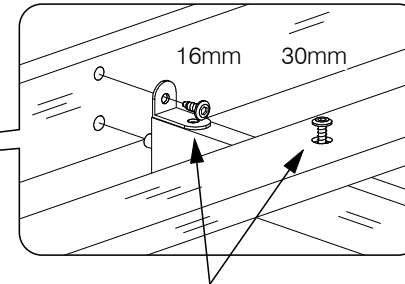
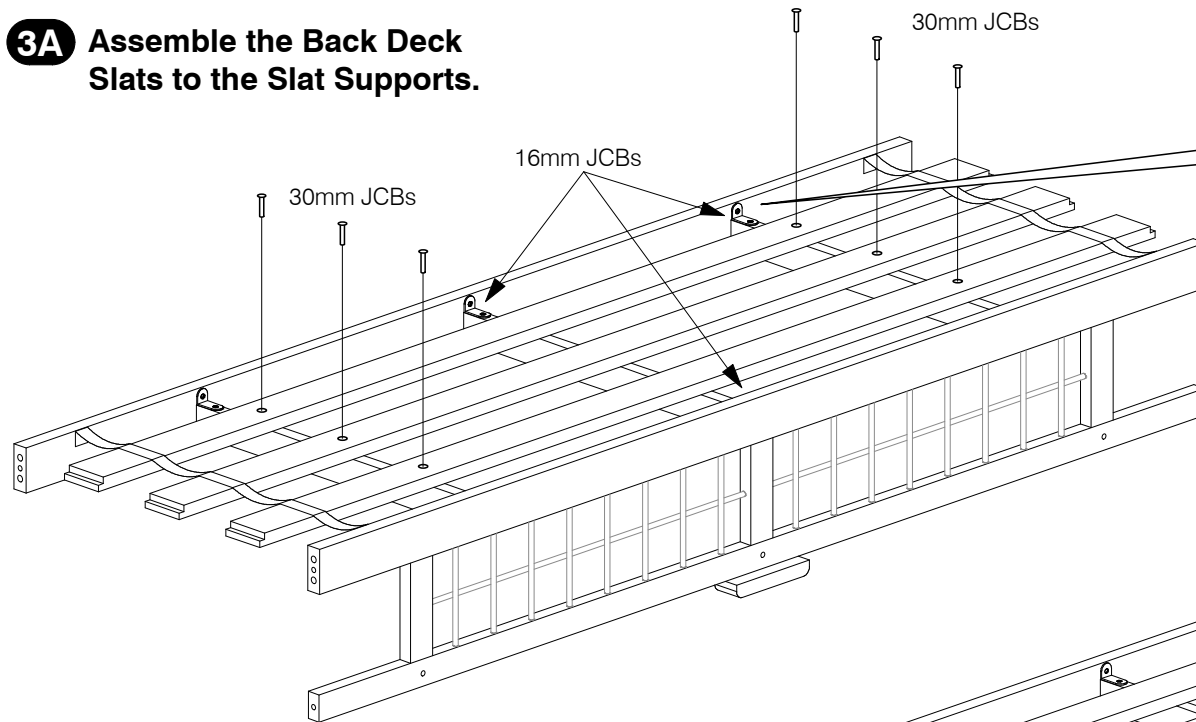
2A Assemble the Seat Deck Slats to the Slat Supports.



2C Assemble the Seat Side Rails to the Seat Deck.

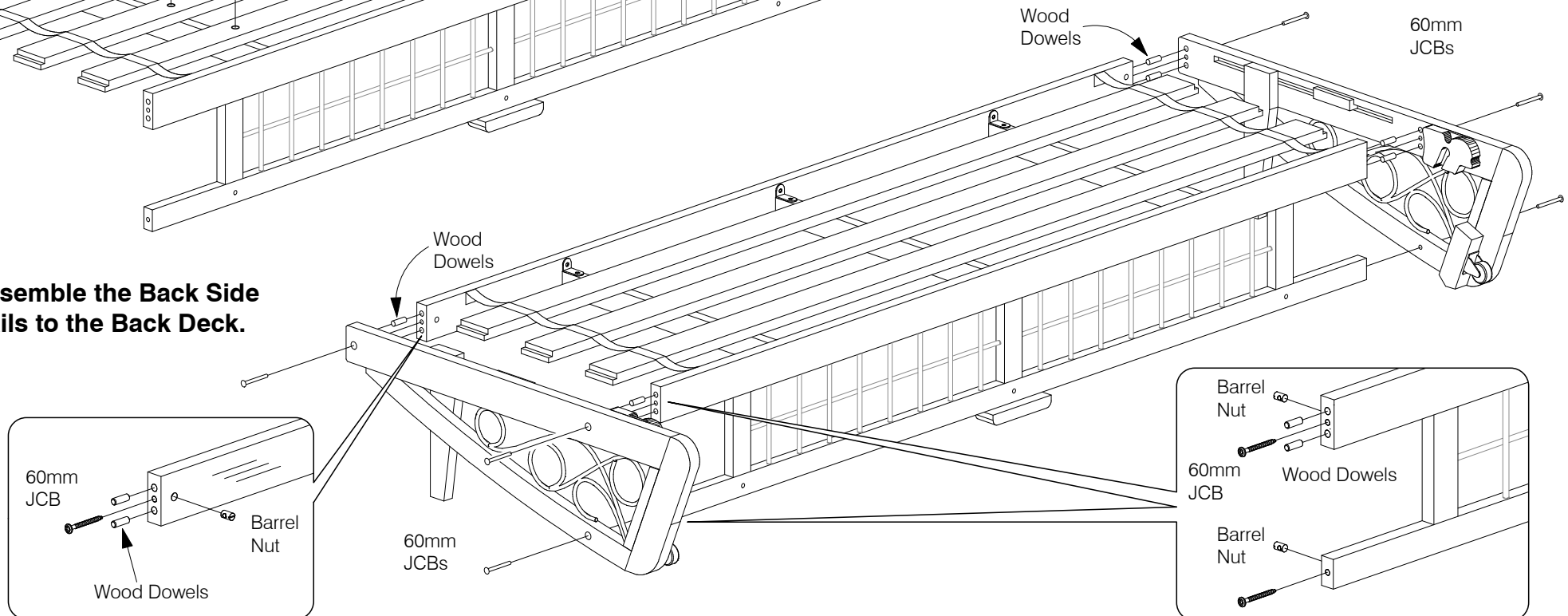


3A Assemble the Back Deck Slats to the Slat Supports.

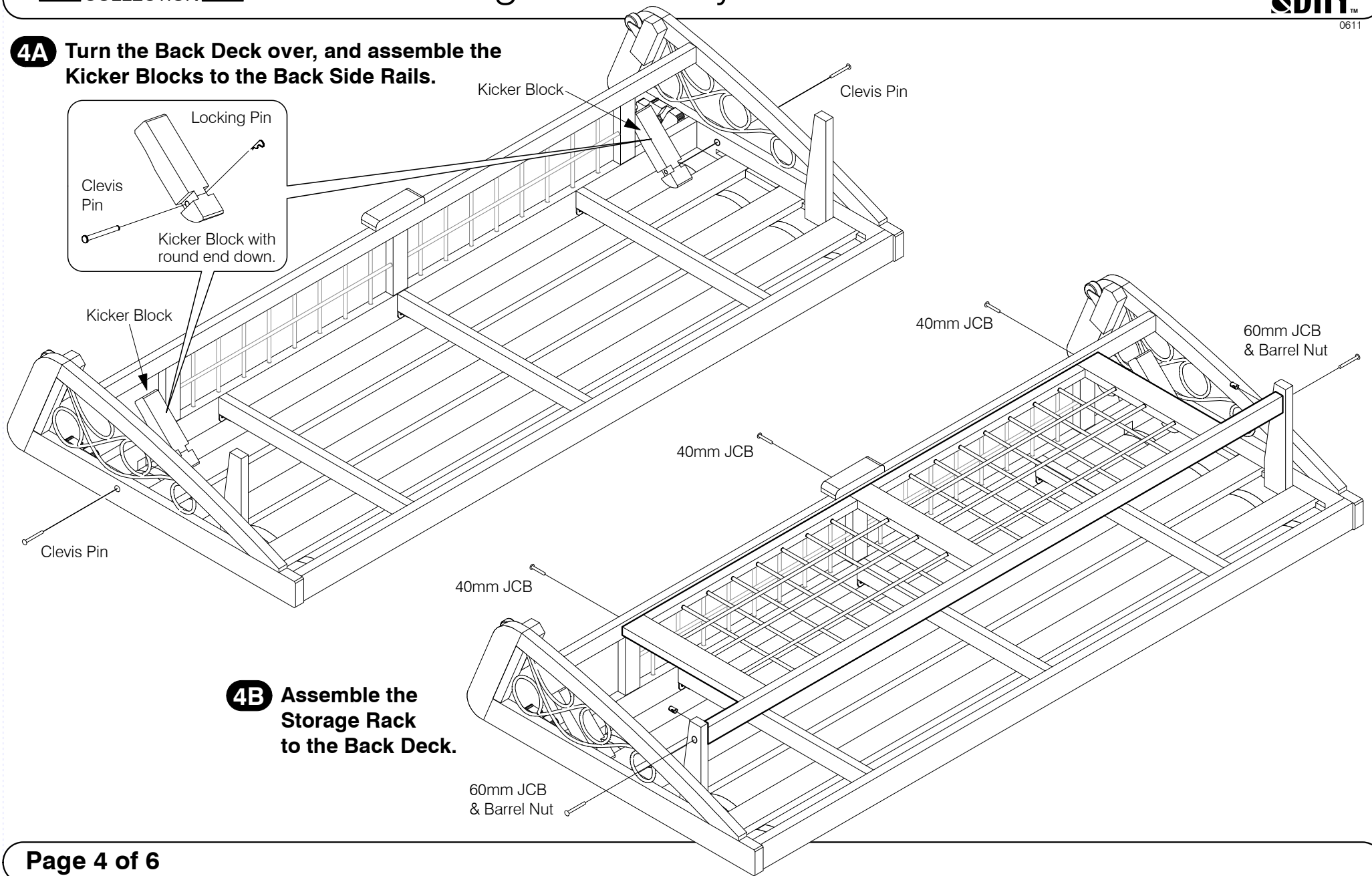


Important Note: To make assembly easier, don't fully tighten the bolts until the complete deck is put together.

3B Assemble the Back Side Rails to the Back Deck.

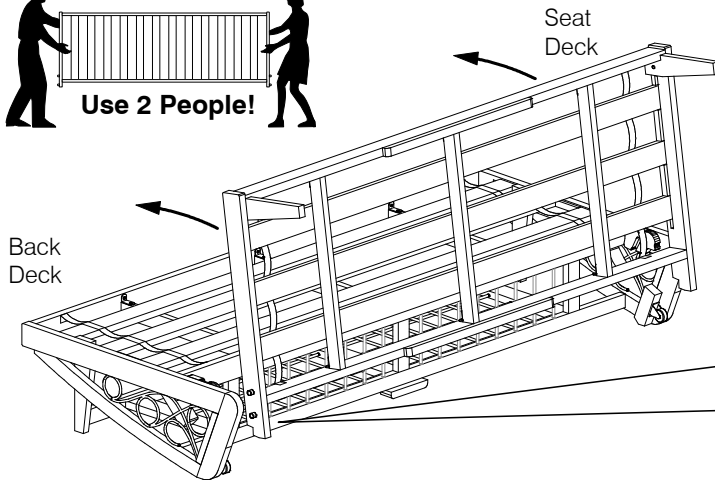
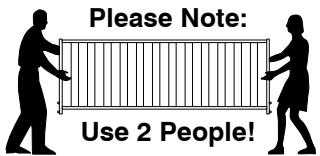


4A Turn the Back Deck over, and assemble the Kicker Blocks to the Back Side Rails.



4B Assemble the Storage Rack to the Back Deck.

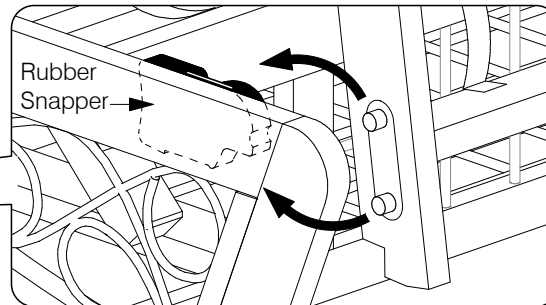
5A Hook the Seat Deck onto the Snapper.



Lift the Seat Deck in vertically, so the Pins meet with the Rubber Snapper. The head of the Snapper should fit **between both Pins**.

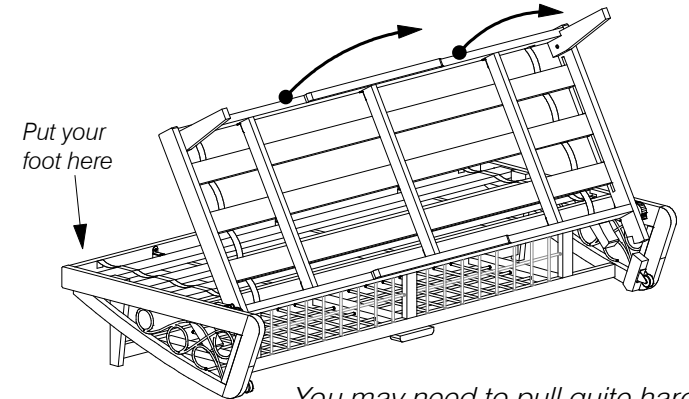
Just remember:

- The Top Pin - fits over the top,
- The Lower Pin - goes underneath.



5B Pull the Seat over the "Snap Point".

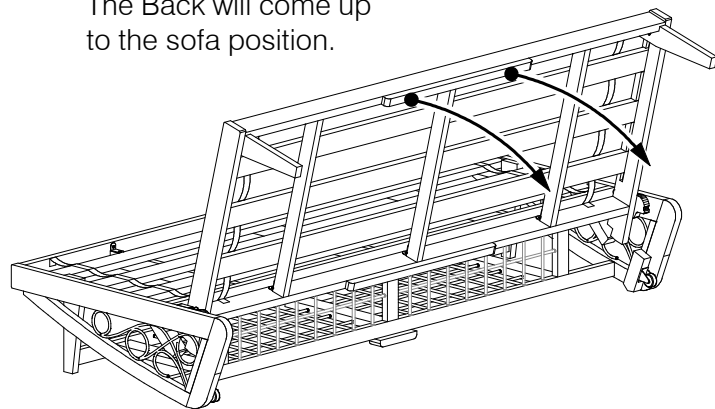
With both Top Pins **inside the notch** on the Rubber Snapper, put your foot on the Back Deck and pull the Seat over the "Snap Point"



You may need to pull quite hard.

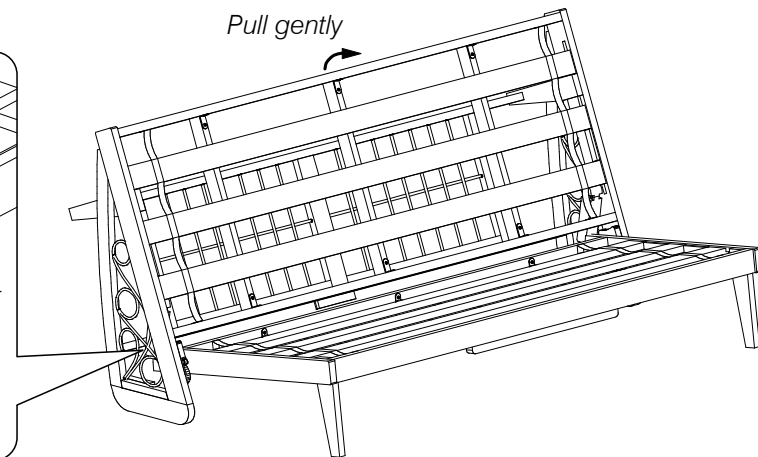
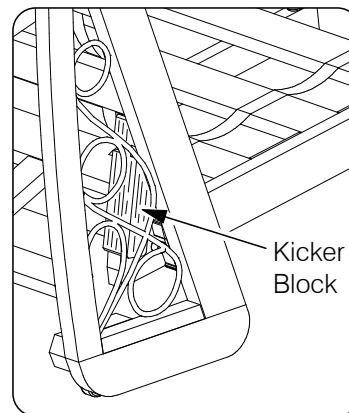
5C The 'Lock' position.

Using the hand grip on the Seat front, lower the Seat all the way to the floor. The Back will come up to the sofa position.



5D Pull gently on the back of the Seat, to make sure the Kicker blocks are 'engaged'.

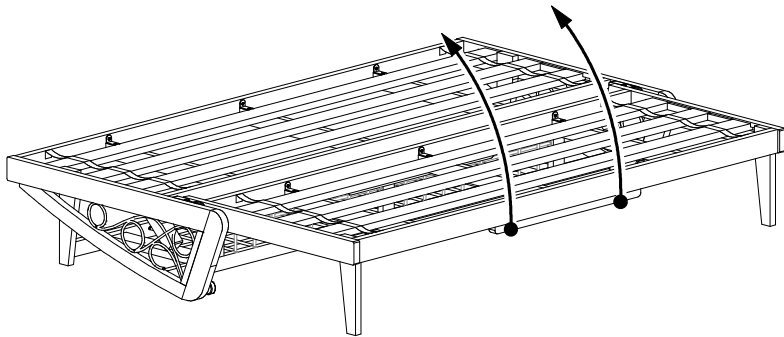
- Please refer to the Operating Instructions
- See Page 6 for Disassembly Instructions



DISASSEMBLY: HOW TO UNHOOK THE SEAT

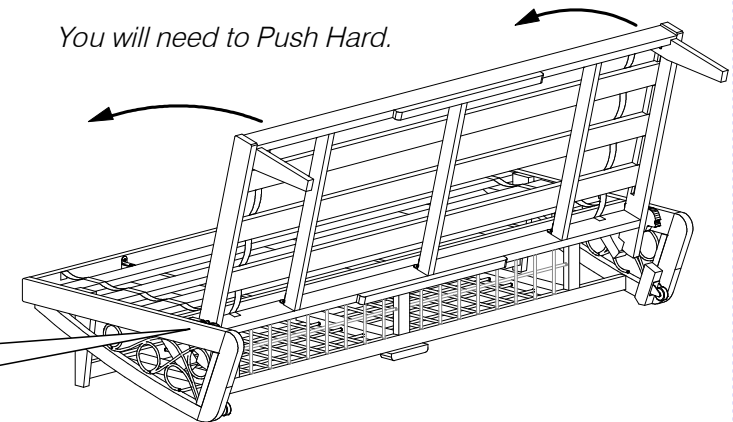
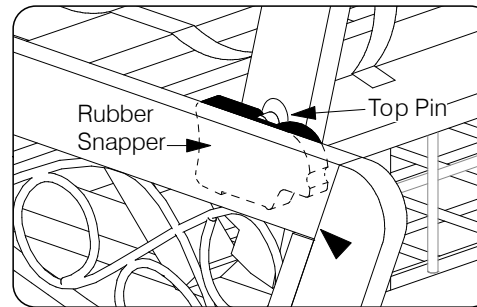
6A From the Bed position, lift the Seat all the way.

Using the both hands lift from the front. Lift all the way until it is in the "Lock" position, with the Top Pins in the notch on the Rubber Snapper.



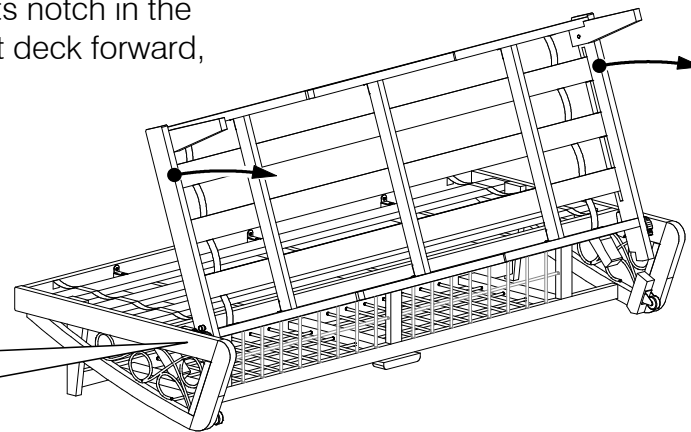
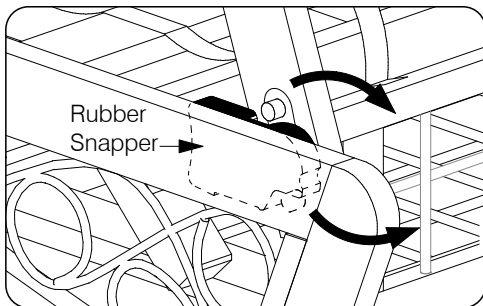
6B Push the Seat over the "Snap Point."

You will need to Push Hard.



6C Lift the Seat deck upward and forward to release the Top Pin from the Rubber Snapper.

Lift up so the Top Pin is out of its notch in the Rubber Snapper. Ease the Seat deck forward, keeping it orientated vertically.



6D Lift the Seat clear of the frame.

