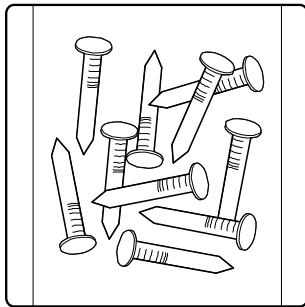


## 1 Parts in this Box.



Panel **x 1**

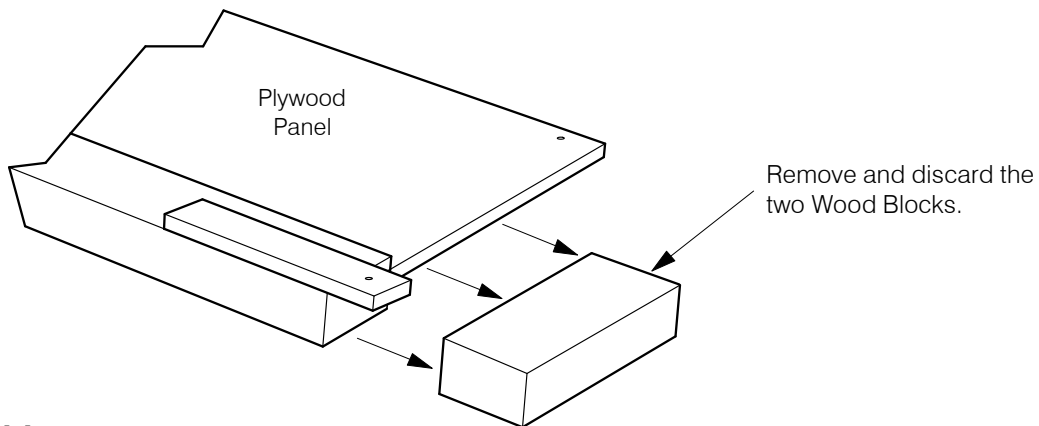
## 2 Hardware in this Box.



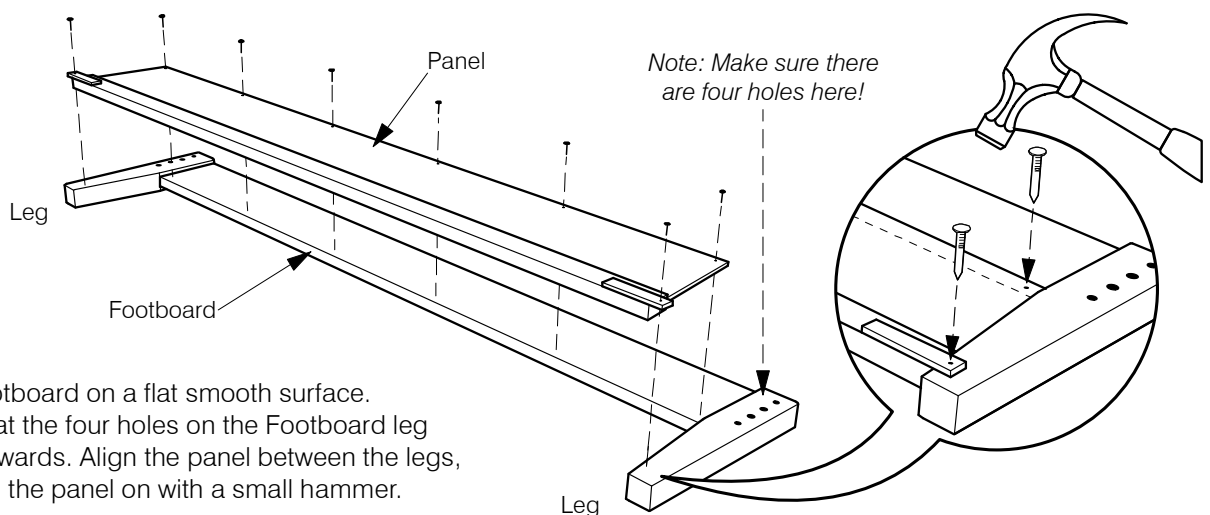
Bag of Small Nails **(10pc)**

Note: There are enough nails for the King Size Panel, so you may have some left over.

## 3 Remove the two Wood Blocks protecting the ends of the Footboard Panel.



## 4 Assembly



Place the Footboard on a flat smooth surface. Make sure that the four holes on the Footboard leg are facing upwards. Align the panel between the legs, before nailing the panel on with a small hammer.